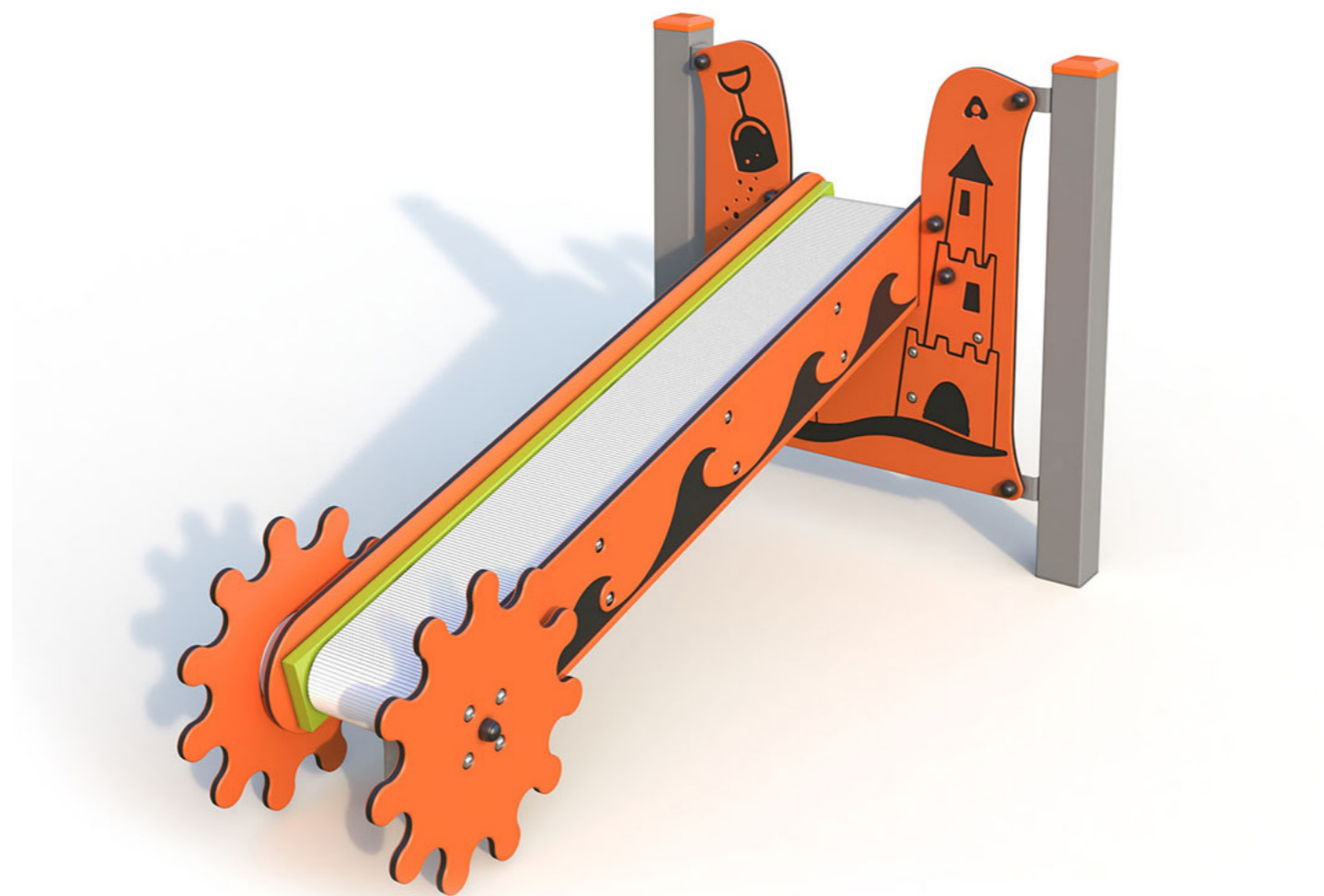


Sand Conveyor

SPE001

The sky's the limit in what can be created with this popular sandplay item.



Specifications

Age range: 2+ years
Equipment height: 1215mm
Max fall height: 500mm

Standards

Complies with relevant Australian Standards including: AS 4685:2021 (P1-6) | AS 4685.0:2017 | AS4422 (Int):2022

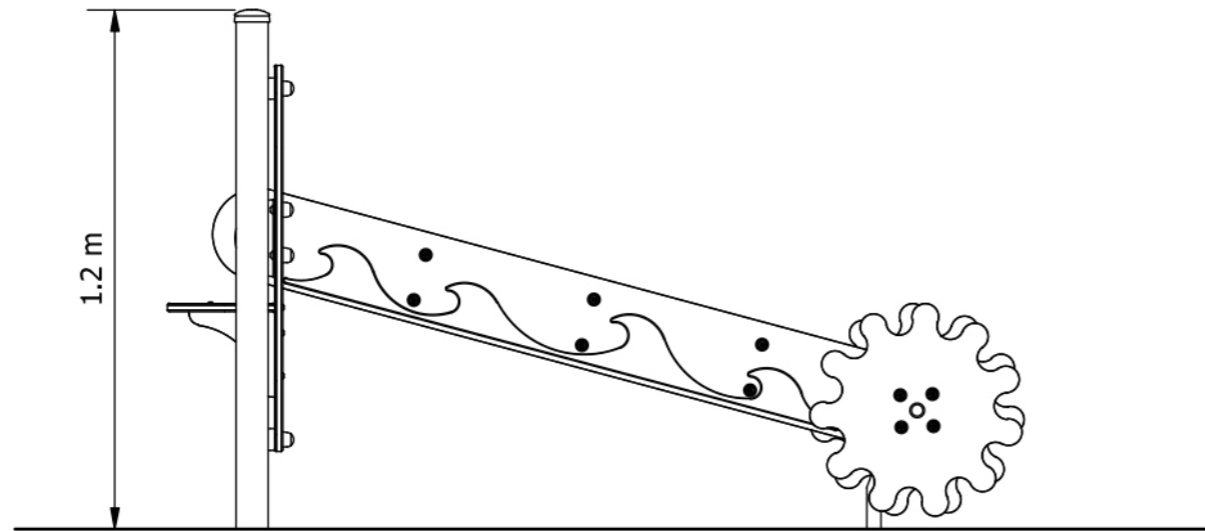
*All information is commercial in confidence and is the property of The Play Collective. For details regarding Australian standards, warranties, insurances, QA and installation, please contact your local office. All information is correct as at February 2024.

Sand Conveyor

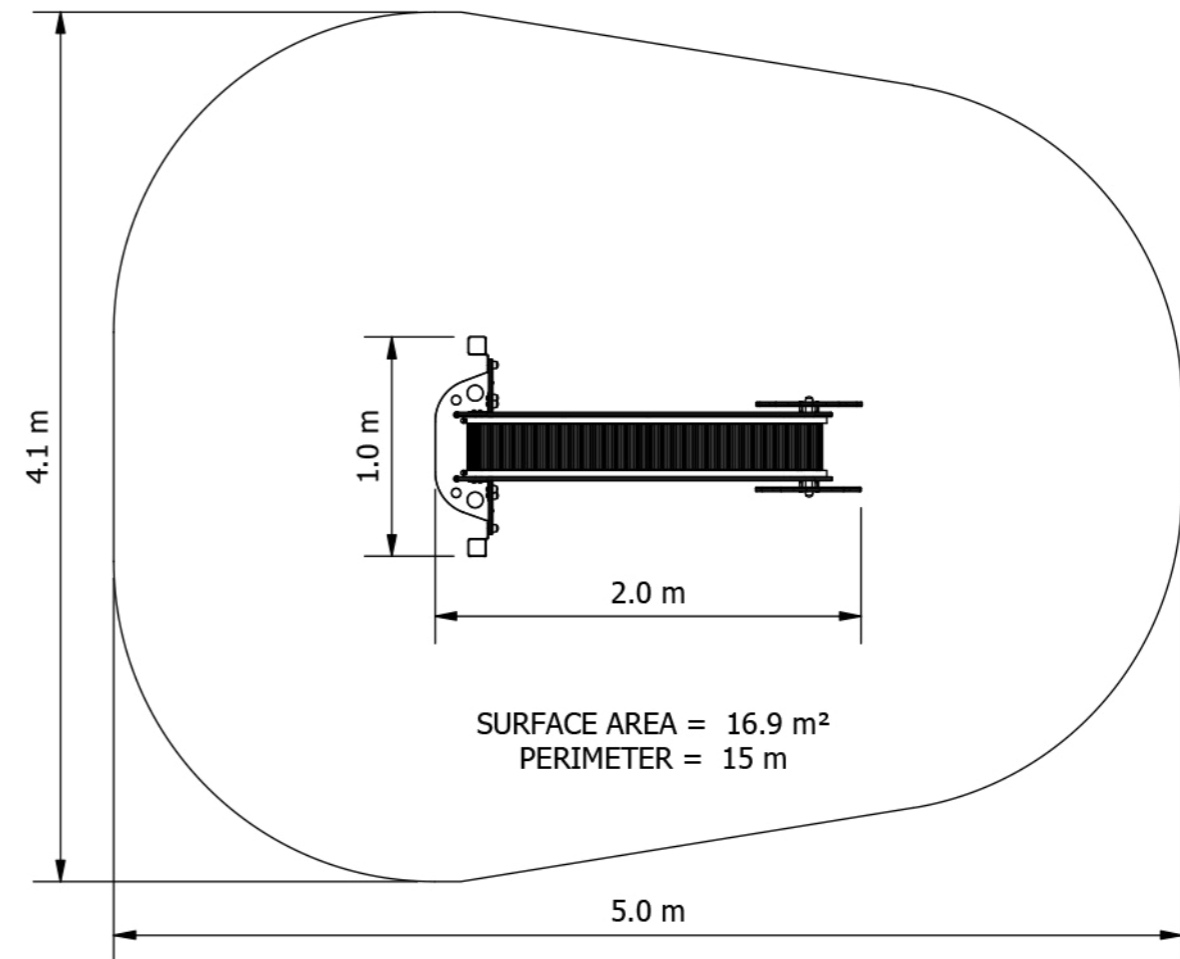
SPE001



Elevation



Plan View



To learn more about our warranty, compliance, materials, or colour palette and customisation options, contact PlayCo:

1800 655 041 | hello@playco.com.au | playco.com.au

