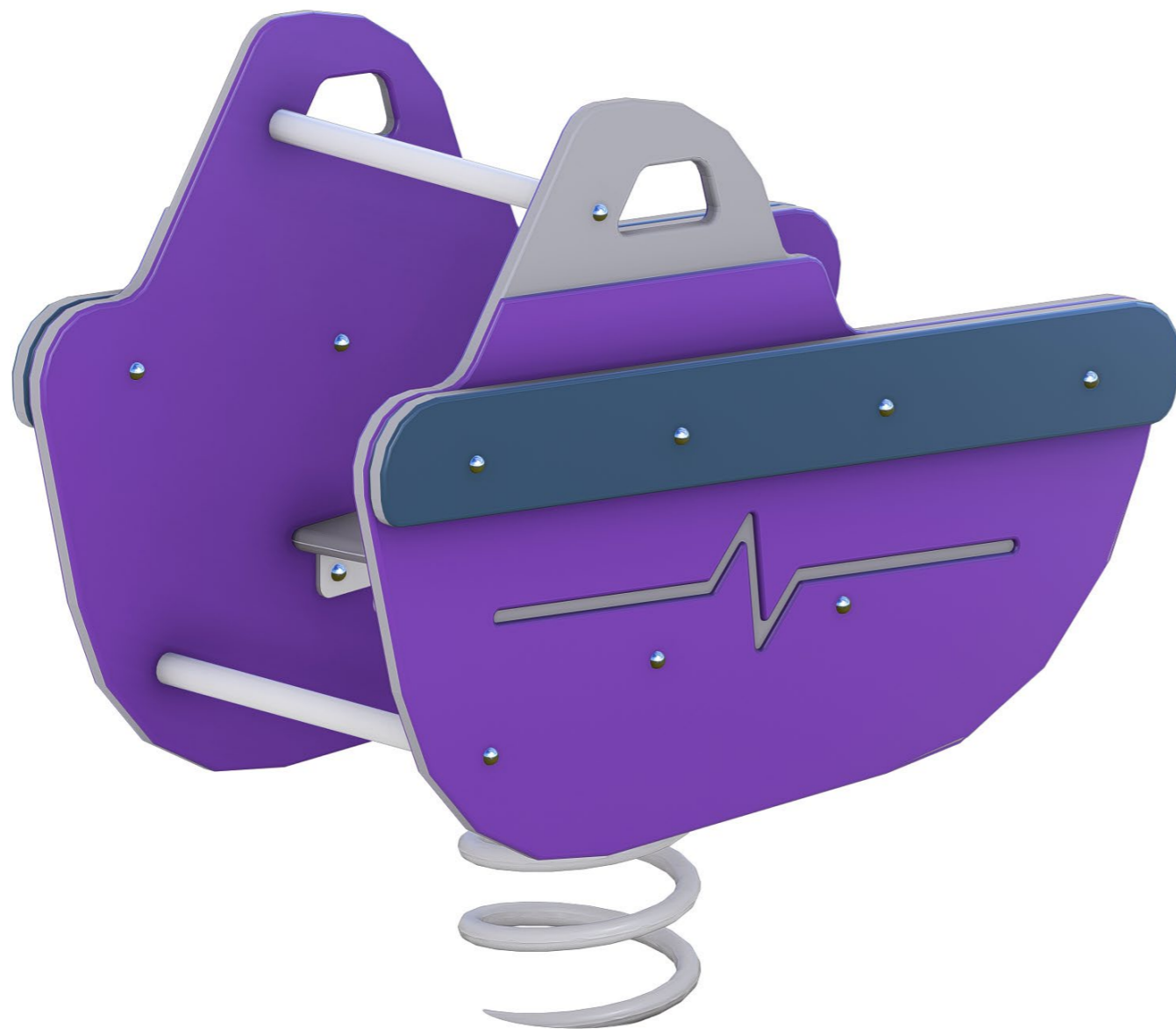


Jet Boat Rocker

A-SPR-4004

Wave-riding fun for young adventurers, the Jet Boat Rocker inspires movement and imaginative play.



Colour Options:



Standards

Complies with relevant Australian Standards including: AS 4685:2021 (P1-6) | AS 4685.0:2017 | AS4422 (Int):2022

*All information is commercial in confidence and is the property of The Play Collective. For details regarding Australian standards, warranties, insurances, QA and installation, please contact your local office. All information is correct as at February 2024.

Specifications

Age range: 1-8 years

Number of play elements: 1

Equipment size: 950mm x 440mm

Equipment height: 840mm

Fall zone: 3370mm x 3370mm

Max fall height: 600mm

Play Types



Materials

Material specs

Frame: Alloy Steel

Fasteners: Stainless Steel

Powder Coating: Dulux / Interpon

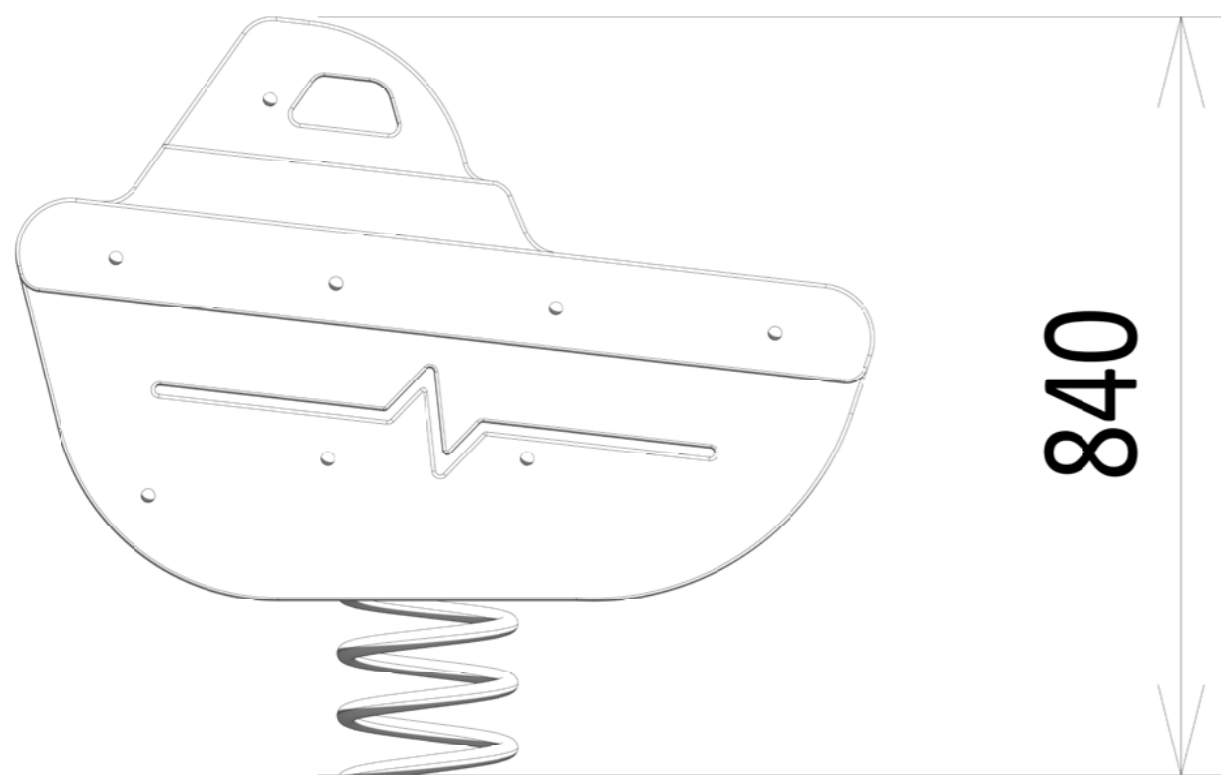
Plastic: HDPE

Jet Boat Rocker

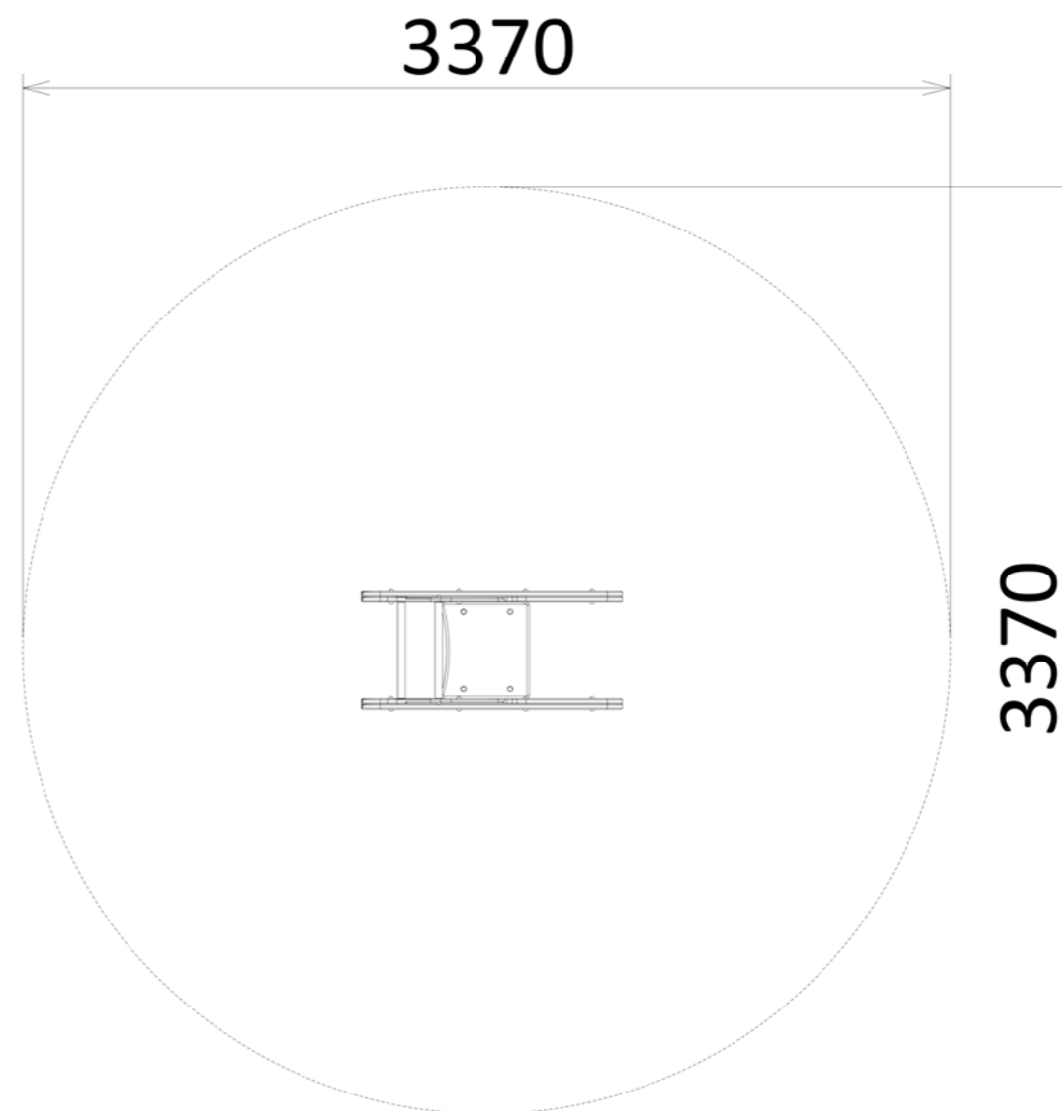
A-SPR-4004



Elevation



Plan View



To learn more about our warranty, compliance, materials, or colour palette and customisation options, contact PlayCo:

1800 655 041 | hello@playco.com.au | playco.com.au

