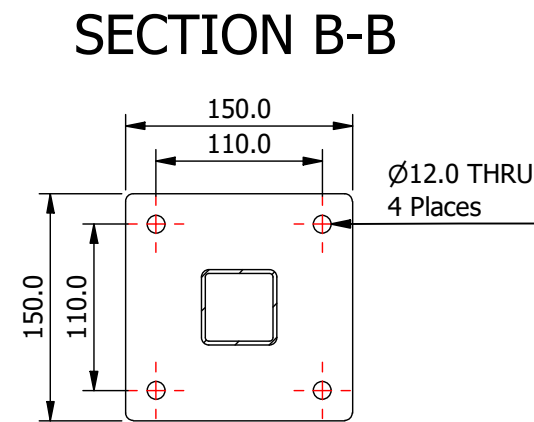
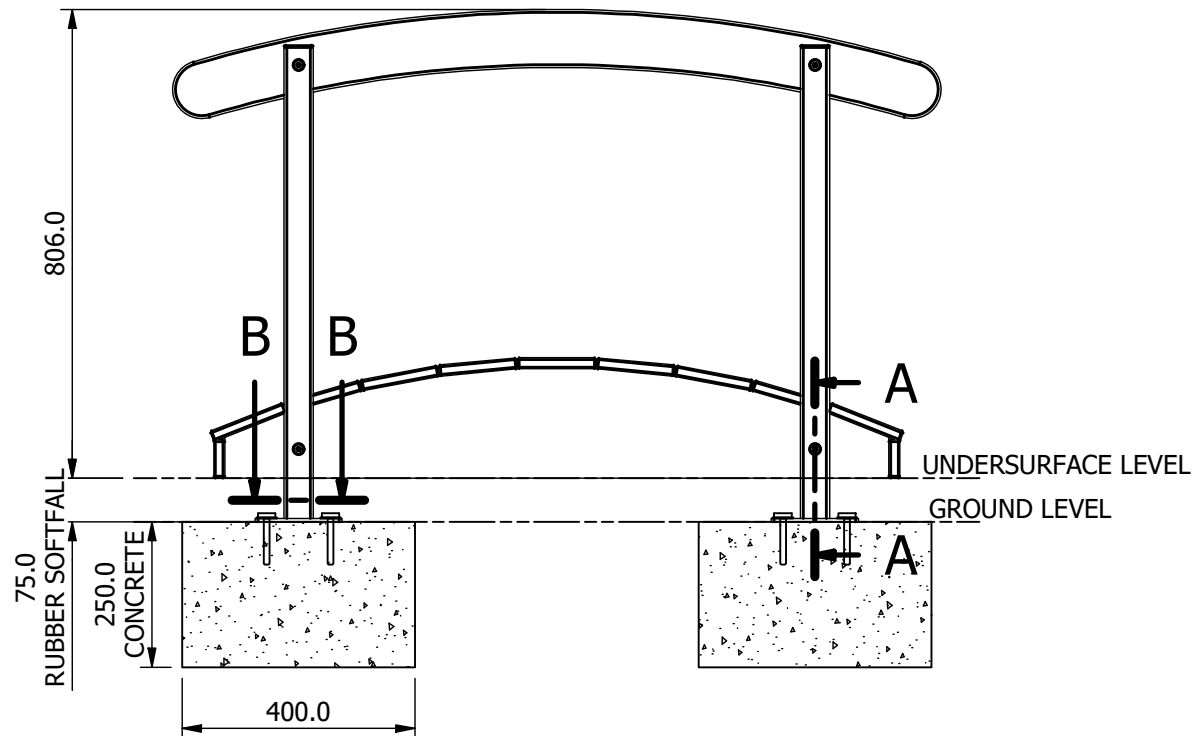
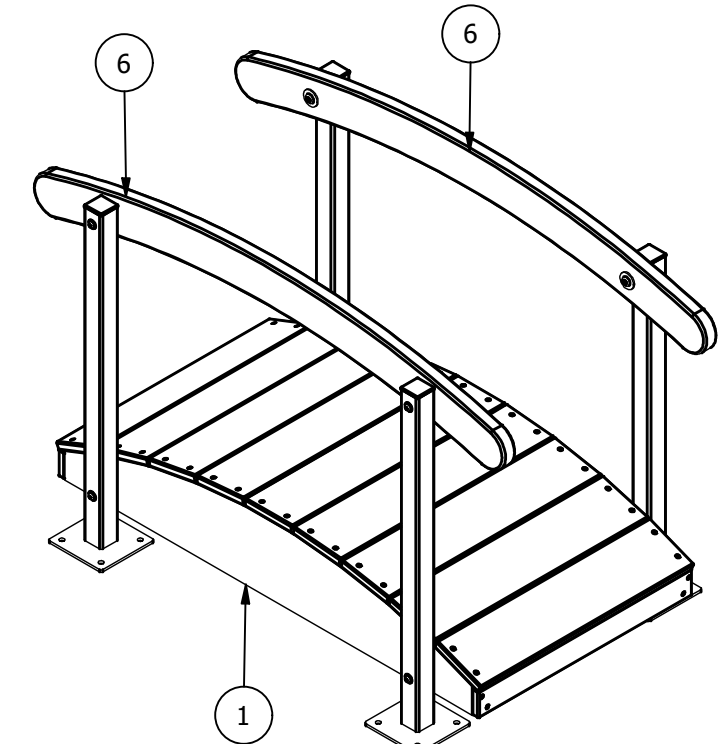
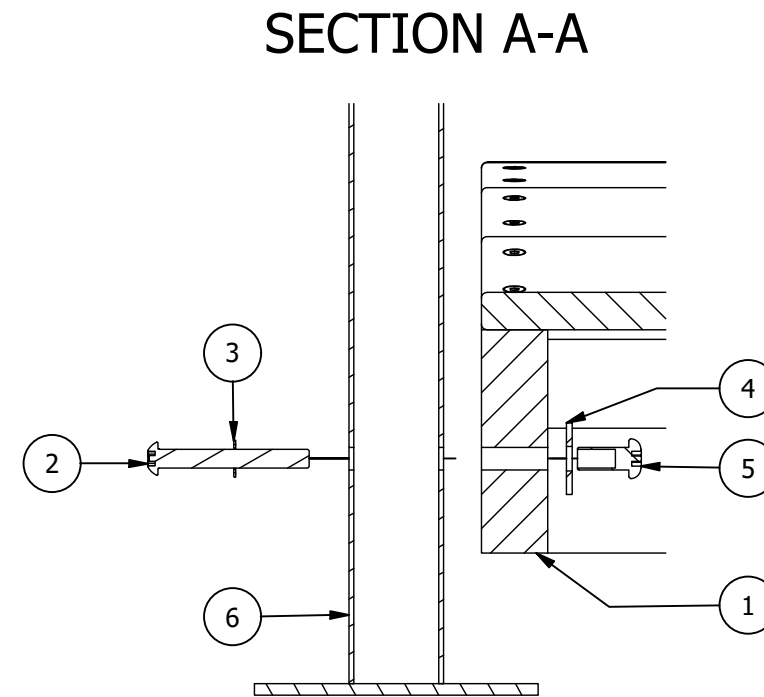
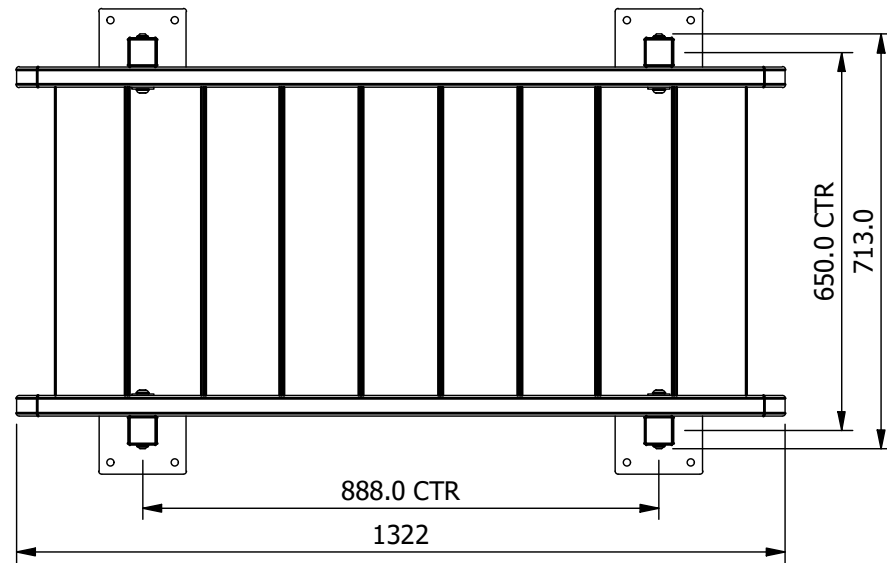


TIMBER BRIDGE SMALL - SM INSTALLATION



NOTE:

The element shall be fixed to a minimum 100mm thick concrete slab, or MIN 400x250mm mass concrete fill under using 16x M10 chemical anchors with a minimum embedment depth of 80mm into the concrete substrate.

PARTS LIST			
ITEM	PART NUMBER	QTY	DESCRIPTION
1	A-TIM-2002-XX-XX	1	TIMBER BRIDGE - BASE ASSY
2	F-BOL-M10X080-TB-SS	4	Bolt, M10, SS, Torx, 80mm
3	F-WSH-2009	4	Washer, M10, Flat, SS304
4	F-WSH-6031-XX-XX	4	ST WASHER M12x37x3
5	F-NUT-M10STX-BN-SS	4	Nut, M10, SS304, Barrel nut, Torx Drive
6	A-TIM-2026-XX-XX	2	TIMBER BRIDGE SMALL - HAND RAIL ASSY - SM

Preliminary Plan (Concept)

Design No:

A-NAT-2414

Drawn by: **AdamWilson**

Date drawn: **3/5/2026**