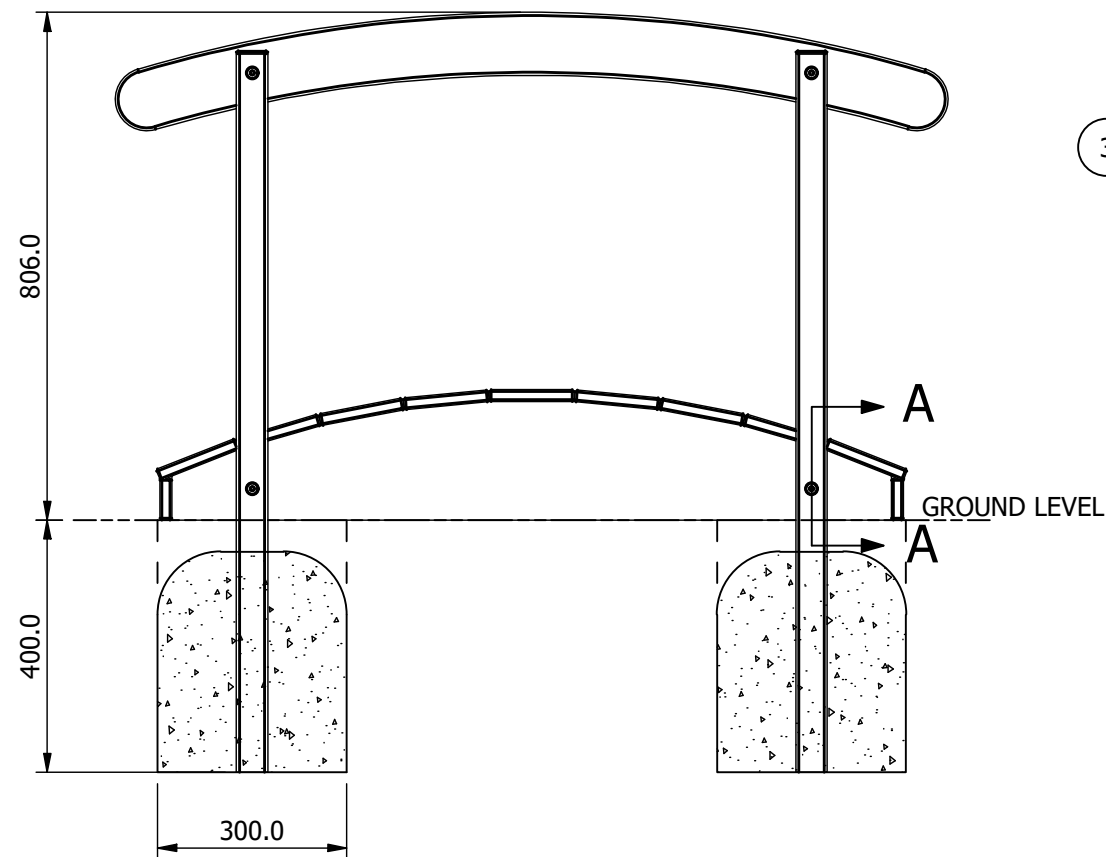
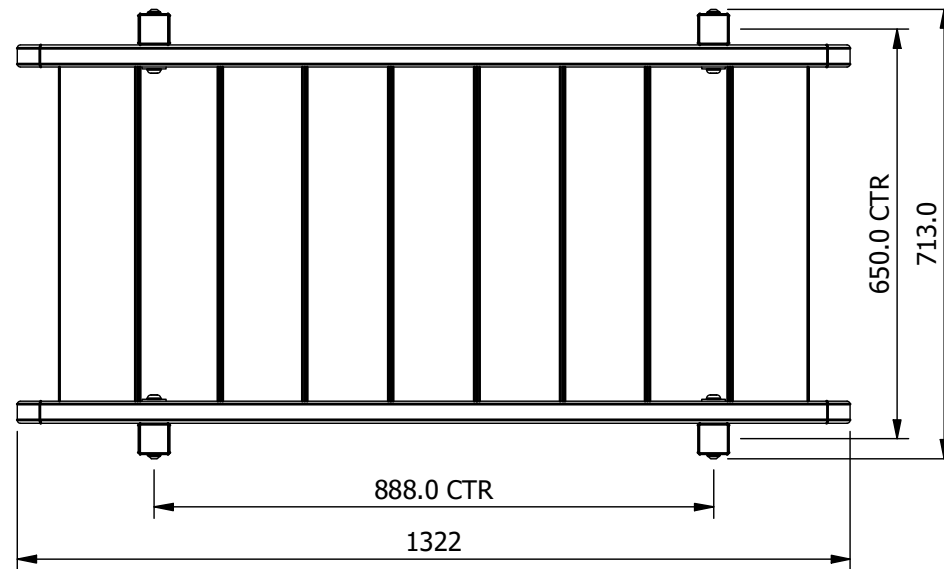
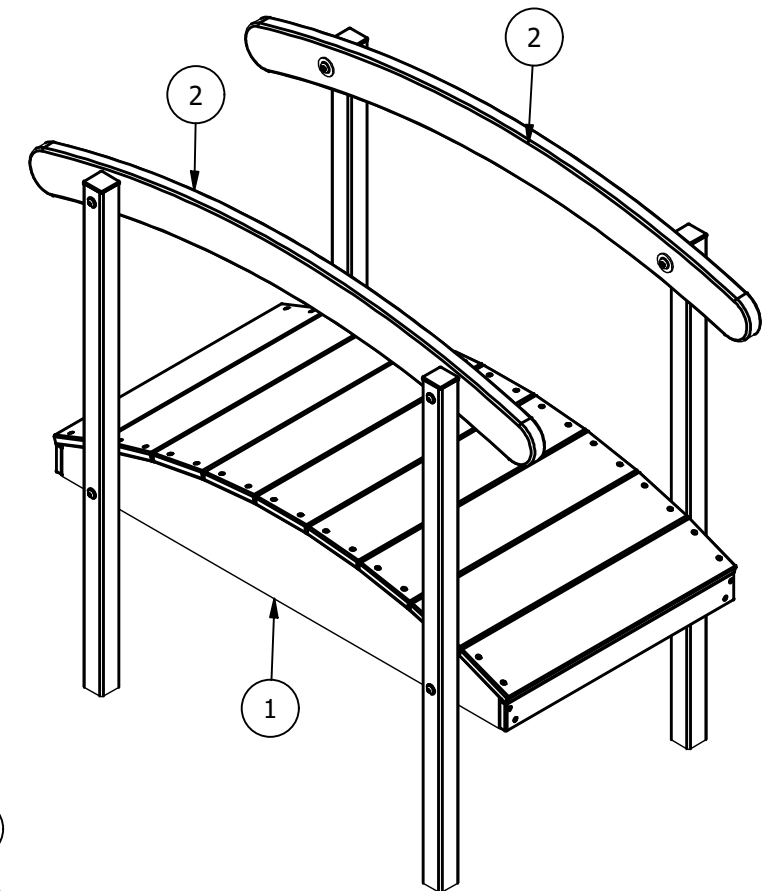
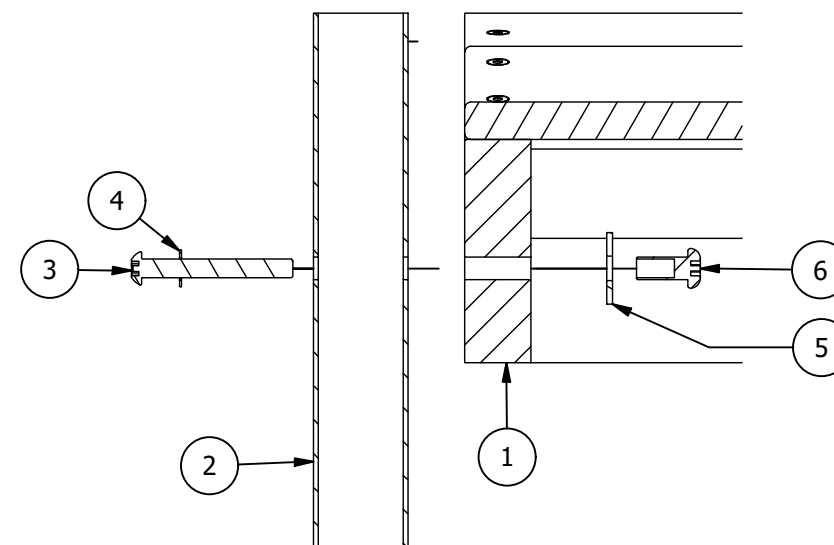


TIMBER BRIDGE SMALL - SF INSTALLATION



SECTION A-A



NOTE:

This product is designed for no soft fall

PARTS LIST			
ITEM	PART NUMBER	QTY	DESCRIPTION
1	A-TIM-2002-XX-XX	1	TIMBER BRIDGE - BASE ASSY
2	A-TIM-2005-XX-XX	2	TIMBER BRIDGE SMALL - HAND RAIL ASSY - SF
3	F-BOL-M10X080-TB-SS	2	Bolt, M10, SS, Torx, 80mm
4	F-WSH-2009	2	Washer, M10, Flat, SS304
5	F-WSH-6031-XX-XX	2	ST WASHER M12x37x3
6	F-NUT-M10STX-BN-SS	2	Nut, M10, SS304, Barrel nut, Torx Drive

Preliminary Plan (Concept)

Design No: **TIMBER BRIDGE SMALL - SF** | Drawn by: **AdamWilson**
Date drawn: **3/5/2026**