

Sand Scales

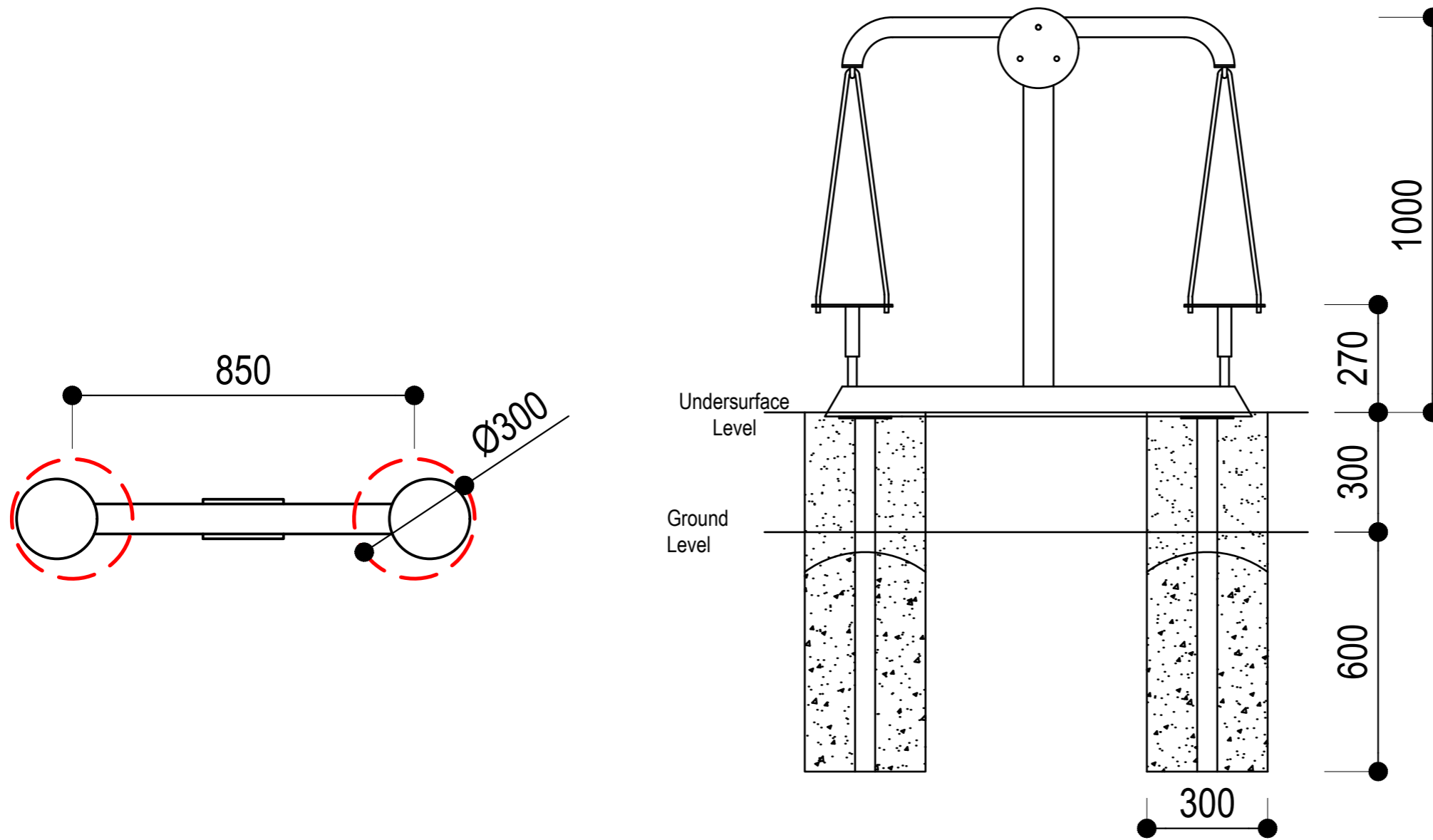
Installation

Footings quantities and depths From ground level

Item	Qty	Hole Diameter	Hole Depth
Posts	2	300mm	600mm

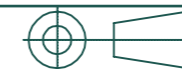
Note:

This product is designed for 300mm softfall. Check the proposed on site softfall depth. If it is not 300mm please adjust depths of post holes accordingly, to achieve correct overall subsurface depth. This will maintain correct height of equipment above undersurface level.



Sand Scales

SEDI REM QUID MA CONSEQUAE DOLUPTAT QUATIUN DELITATIONET EXCERA NIHILIQUIS AD QUISTIS EATUR, NON REHENIS EATIONSECAE
NON NAM QUI VERE DENDAE AUT ID EOSAM ETUR SIMAGNIET, ILIT AUT AUT ET PORI CUM QUAS RE, EATUR?
CAEPROVID UT HICIUR SIT UT DOLOREM VOLOR SIT QUI TEMPEL MA CONSEQUI OD ET AUT UT LIA IUS DOLESEQUE CUS MOLORROVIT



Rev#	DATE	PR#
-	-	-

Playbook ID PN447	DWG No. 01	SCALE NTS	ISSUE A	DRAWN BY LC	DATE 01-03-2023	
Job No.	Job Name	Planned by	Plan date	QTY	MADE BY	DATE

