

Balance Log Elevated 300 Activity Space

Installation

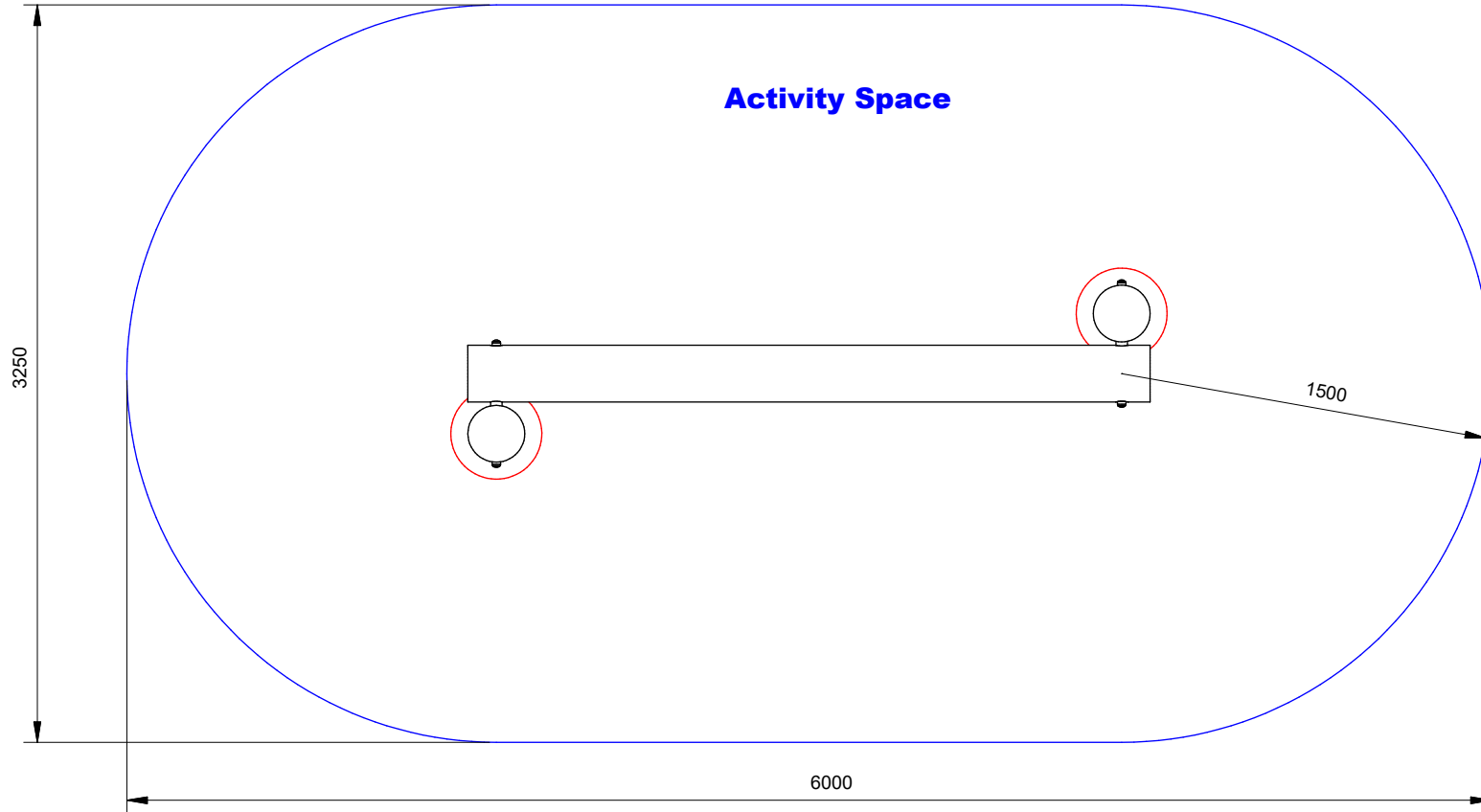
Note:

This product is designed for 300mm soft fall. Check the proposed on site soft fall depth. If it is not 300mm please adjust depths of post holes accordingly, to achieve correct overall subsurface depth.

This will maintain correct height of equipment above undersurface level.

Footing quantities and depths
From Ground Level

| Item | Qty | Hole Diameter | Hole Depth |
|------|-----|---------------|------------|
| Post | 2 | 400 | 600 |



Balance Log Elevated 300 Activity Space

THESE DESIGNS, DRAWINGS AND SPECIFICATIONS ARE COPYRIGHT AND THE PROPERTY OF The Play Works AND MUST NOT BE USED, COPIED OR REPRODUCED IN PART OR WHOLE WITHOUT THE WRITTEN PERMISSION OF The Play Works.

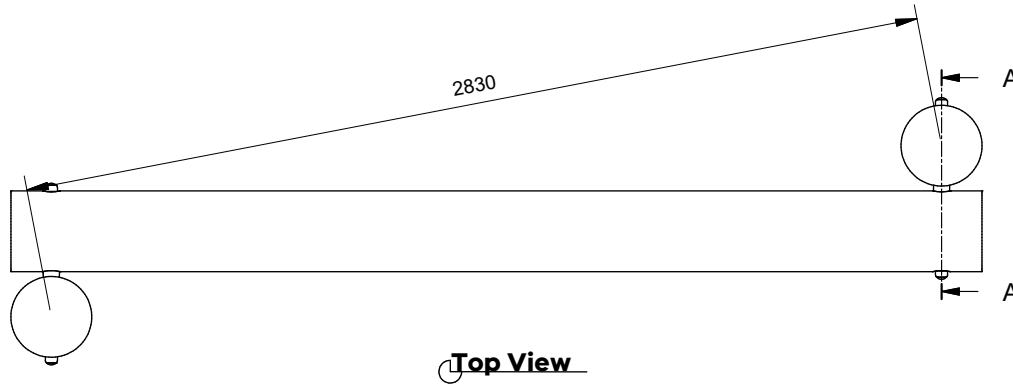


| REV# | DATE | PR# |
|------|------|-----|
| - | - | - |
| - | - | - |
| - | - | - |
| - | - | - |

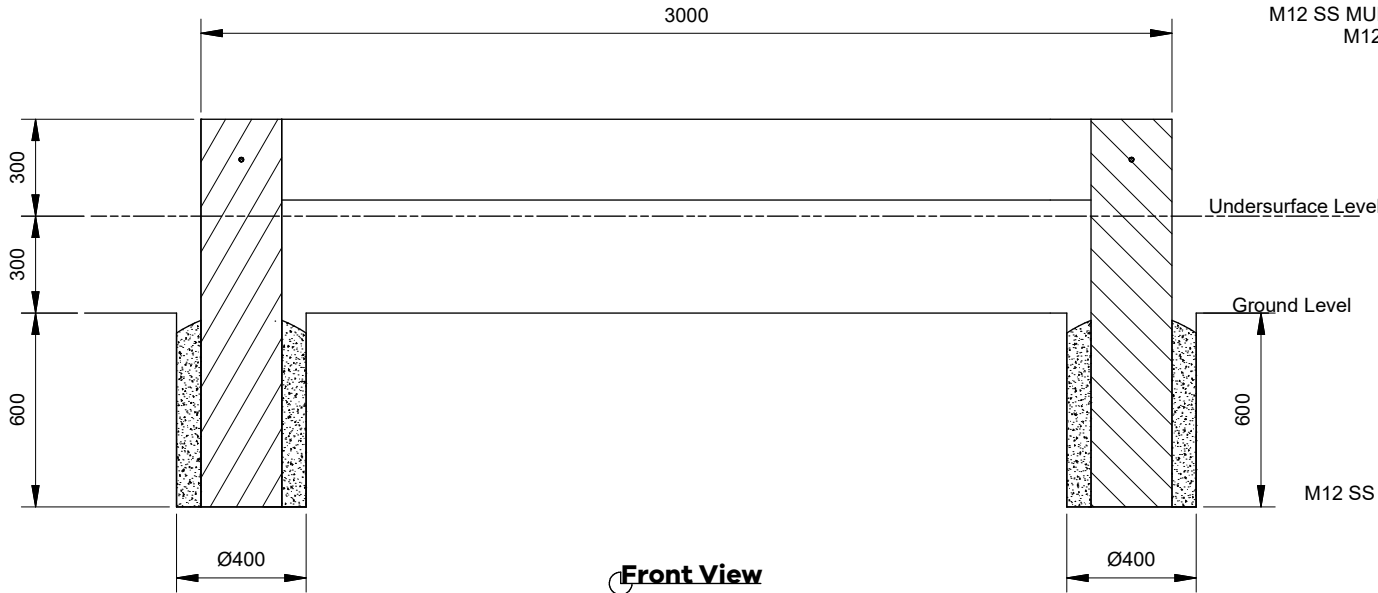
| | | | | | |
|------------------------------|--------------------------|---------------------|-------------------|-----------------------|--------------------------|
| Playbook ID PN1427 | DWG No. 1 of 2 | SCALE NTS | ISSUE A | DRAWN BY DE | DATE 8/17/2023 |
| Job No. - | Job Name - | Planned by | Plan date | QTY - | MADE BY |
| | | | | | DATE |



Balance Log Elevated 3000 Footings Details



Top View



Front View

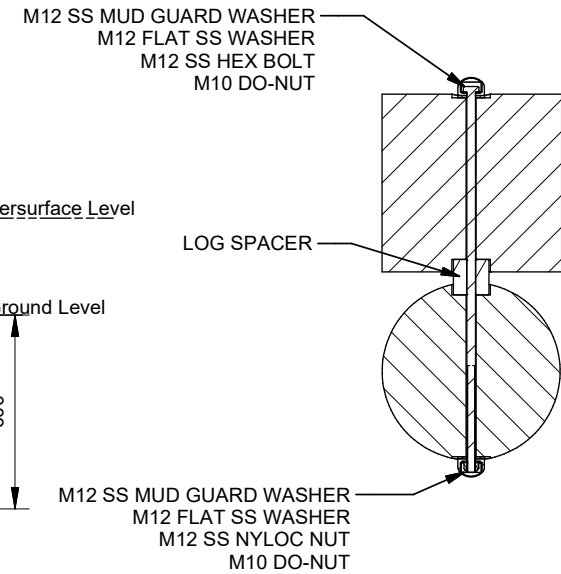
Footing quantities and depths From Ground Level

| Item | Qty | Hole Diameter | Hole Depth |
|------|-----|---------------|------------|
| Post | 2 | 400 | 600 |

Note:

This product is designed for 300mm soft fall. Check the proposed on site soft fall depth. If it is not 300mm please adjust depths of post holes accordingly, to achieve correct overall subsurface depth. This will maintain correct height of equipment above undersurface level.

SECTION A-A (1 : 10)



Installation

Balance Log Elevated 3000 Footings Details

THESE DESIGNS, DRAWINGS AND SPECIFICATIONS ARE COPYRIGHT AND THE PROPERTY OF The Play Works AND MUST NOT BE USED, COPIED OR REPRODUCED IN PART OR WHOLE WITHOUT THE WRITTEN PERMISSION OF The Play Works.



| REV# | DATE | PR# |
|------|------|-----|
| - | - | - |
| - | - | - |
| - | - | - |

| | | | | | |
|------------------------------|--------------------------|---------------------|-------------------|-----------------------|--------------------------|
| Playbook ID PN1427 | DWG No. 2 of 2 | SCALE NTS | ISSUE A | DRAWN BY DE | DATE 8/17/2023 |
| Job No. - | Job Name - | Planned by | Plan date | QTY - | MADE BY |

