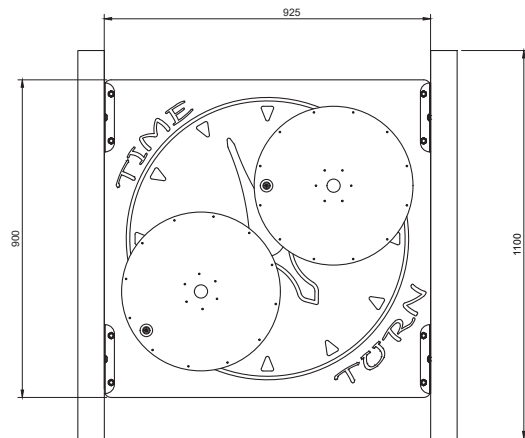


Time Turn Panel



Learning how to tell the time has never been so fun! Our interactive Time Turn Panel Themed Play Equipment encourages children to explore the movement of hands that tell the time. With various colours and displays, these interactive panels showcase skills development that children engage in for hours on end!

Specifications

Code: PN127

Age range: 2-8 Years

Max fall height: N/A

Minimum fall zone: 11m²

Equipment size: 0.1m²

Max equipment height: 1.1m

Playspaces: Parks, schools, commercial

Materials

Colours	Panel: Standard HDPE range
Material specs	Panel: HDPE Fasteners: Stainless steel Optional posts: Galvanised steel, aluminium or timber.

Standards

Complies with relevant Australian Standards including: AS 4685:2021 (P1-6) | AS 4685.0:2017 | AS4422 (Int):2022

*All information is commercial in confidence and is the property of The Play Collective. For details regarding Australian standards, warranties, insurances, QA and installation, please contact your local office. All information is correct as at February 2024.