

Ironbark Log Basket Swing Fall Zone

All measurement are in mm, unless otherwise specified

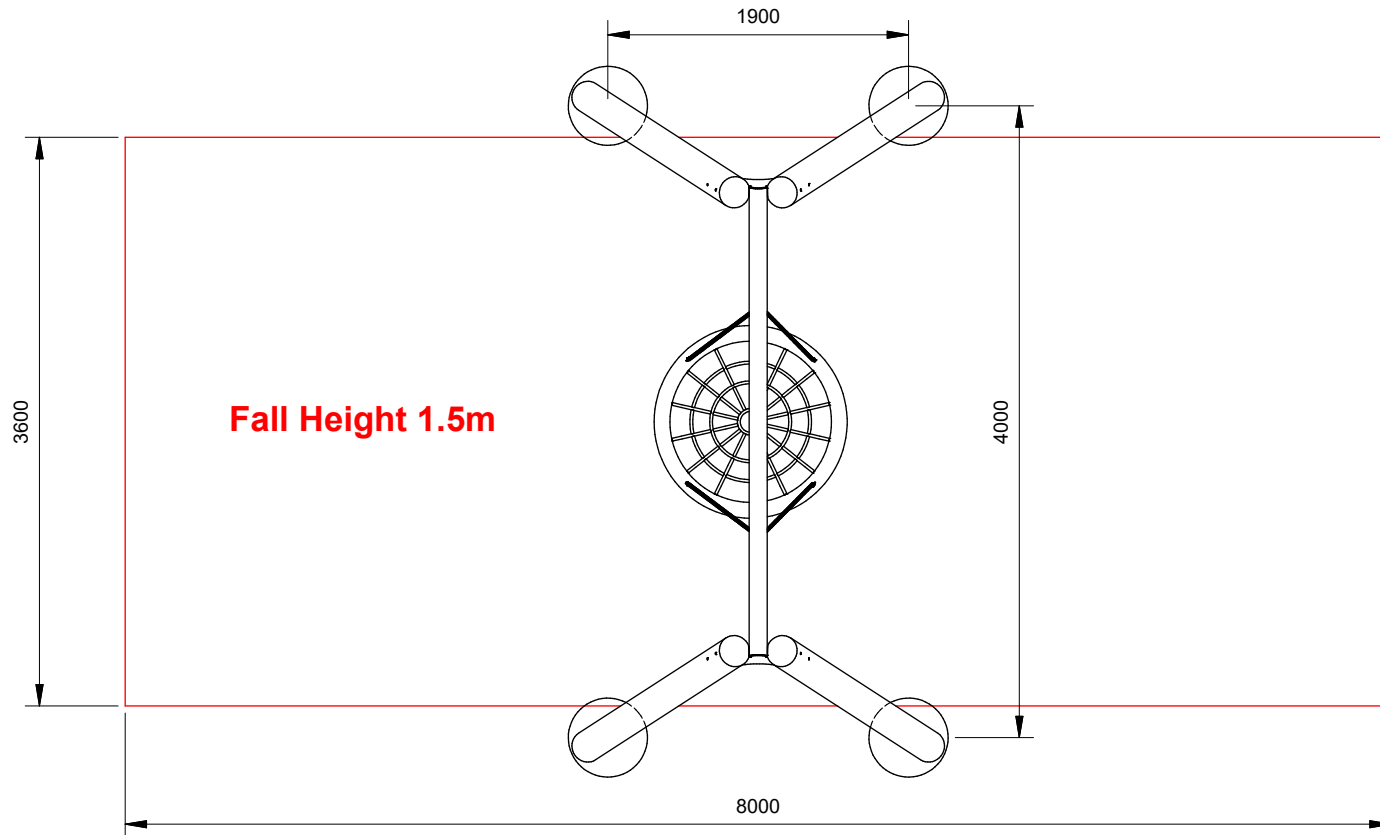
Fabrication

Note:

This product is designed for 300mm soft fall. Check the proposed on site soft fall depth. If it is not 300mm please adjust depths of post holes accordingly, to achieve correct overall subsurface depth. This will maintain correct height of equipment above undersurface level.

Footing quantities and depths
From Ground Level

Item	Qty	Hole Diameter	Hole Depth
Post	4	500	900



Ironbark Log Basket Swing Fall Zone

THESE DESIGNS, DRAWINGS AND SPECIFICATIONS ARE COPYRIGHT AND THE PROPERTY OF The Play Works AND MUST NOT BE USED, COPIED OR REPRODUCED IN PART OR WHOLE WITHOUT THE WRITTEN PERMISSION OF The Play Works.



REV#	DATE	PR#
-	-	-
-	-	-
-	-	-
-	-	-

Playbook ID PN1262	DWG No. 1 of 2	SCALE NTS	ISSUE A	DRAWN BY DE	DATE 8/29/2023
Job No. -	Job Name -	Planned by	Plan date	QTY -	MADE BY
					DATE



Ironbark Log Basket Swing Footing Detail

All measurement are in mm, unless otherwise specified

Fabrication

ASSEMBLY INSTALL LIST	QTY
Cross Bar	1 Off
Swing Posts	4 Off
Bolt M12x 200mm	8 Off
Nyloc M12 SS	8 Off
Washer m12 SS	8 Off
Do-Nut M12	8 Off

Footing quantities and depths

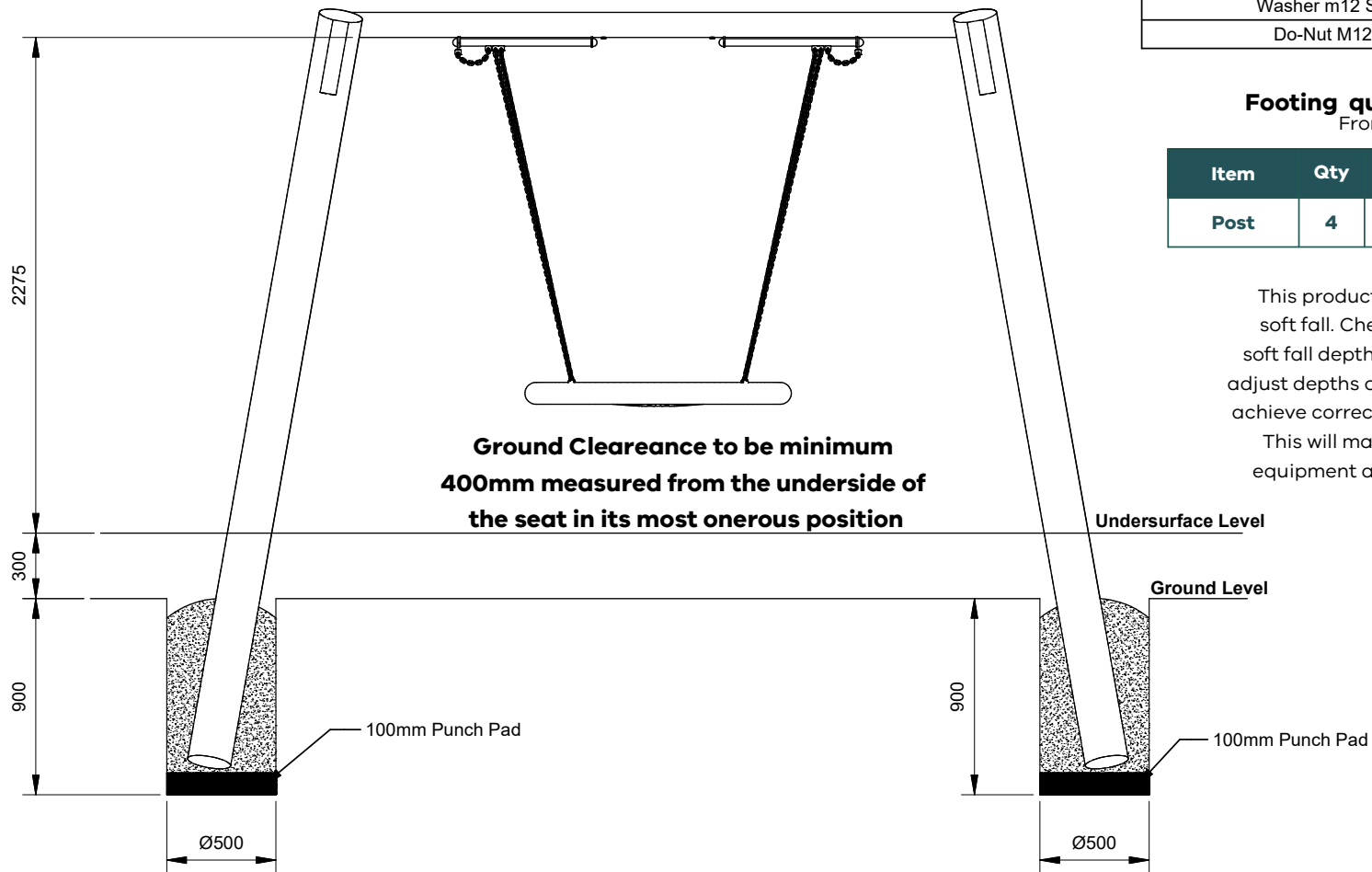
From Ground Level

Item	Qty	Hole Diameter	Hole Depth
Post	4	500	900

Note:

This product is designed for 300mm soft fall. Check the proposed on site soft fall depth. If it is not 300mm please adjust depths of post holes accordingly, to achieve correct overall subsurface depth.

This will maintain correct height of equipment above undersurface level.



Ironbark Log Basket Swing Footing Detail

THESE DESIGNS, DRAWINGS AND SPECIFICATIONS ARE COPYRIGHT AND THE PROPERTY OF The Play Works AND MUST NOT BE USED, COPIED OR REPRODUCED IN PART OR WHOLE WITHOUT THE WRITTEN PERMISSION OF The Play Works.



REV#	DATE	PR#
-	-	-
-	-	-
-	-	-
-	-	-

Playbook ID	PN1262	DWG No.	2 of 2	SCALE	NTS	ISSUE	A	DRAWN BY	DE	DATE	8/29/2023
Job No.	-	Job Name	-	Planned by		Plan date		QTY	-	MADE BY	

natura
Australian nature playgrounds