

Ironbark Log Double Swing Fall Zone

All measurement are in mm, unless otherwise specified

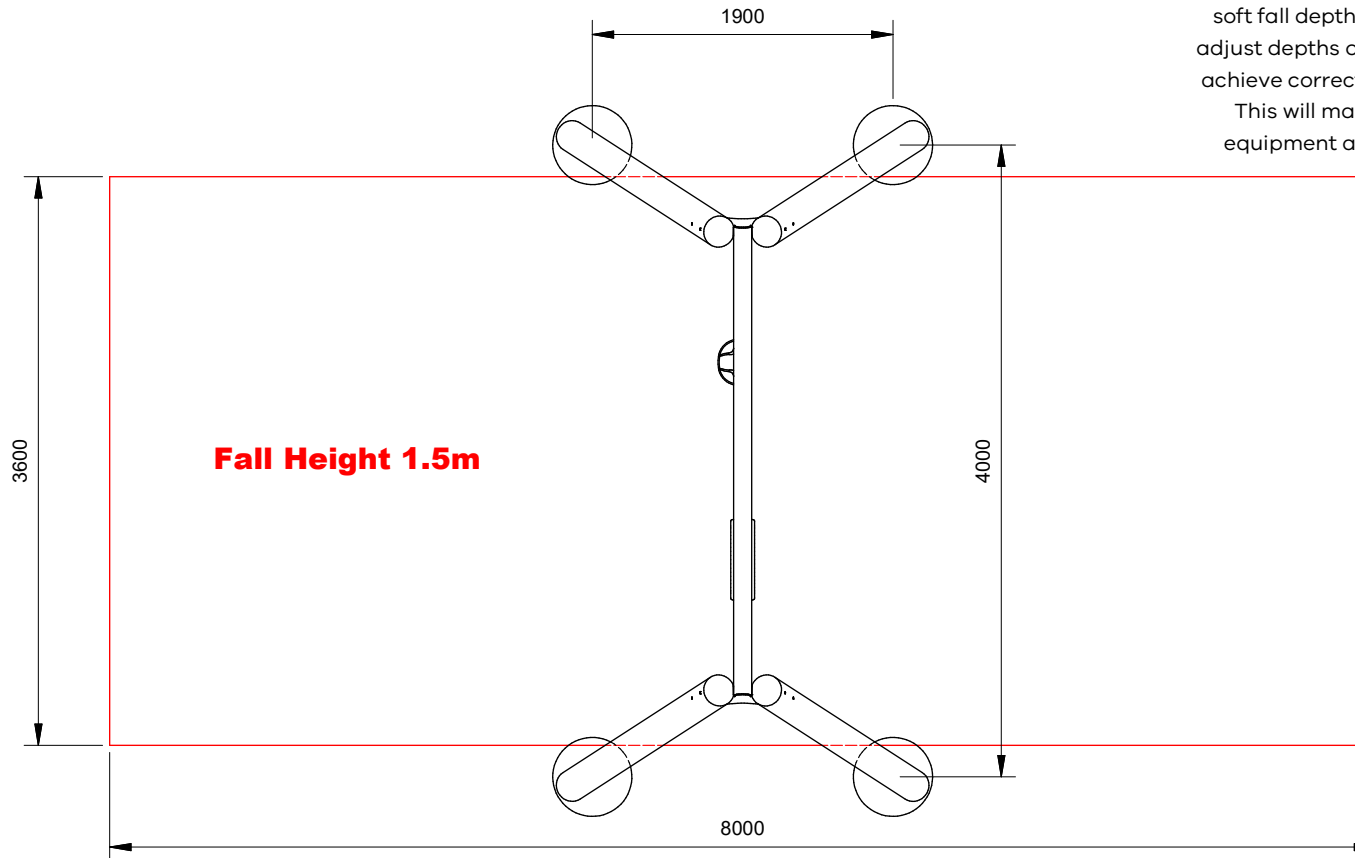
Installation

Footing quantities and depths From Ground Level

Item	Qty	Hole Diameter	Hole Depth
Post	4	500	900

Note:

This product is designed for 300mm soft fall. Check the proposed on site soft fall depth. If it is not 300mm please adjust depths of post holes accordingly, to achieve correct overall subsurface depth. This will maintain correct height of equipment above undersurface level.



Ironbark Log Double Swing Fall Zone

THESE DESIGNS, DRAWINGS AND SPECIFICATIONS ARE COPYRIGHT AND THE PROPERTY OF The Play Works AND MUST NOT BE USED, COPIED OR REPRODUCED IN PART OR WHOLE WITHOUT THE WRITTEN PERMISSION OF The Play Works.



REV#	DATE	PR#
-	-	-
-	-	-
-	-	-
-	-	-

Playbook ID PN1261	DWG No. 1 of 2	SCALE NTS	ISSUE A	DRAWN BY DE	DATE 8/25/2023
Job No. -	Job Name -	Planned by	Plan date	QTY 1	MADE BY
					DATE

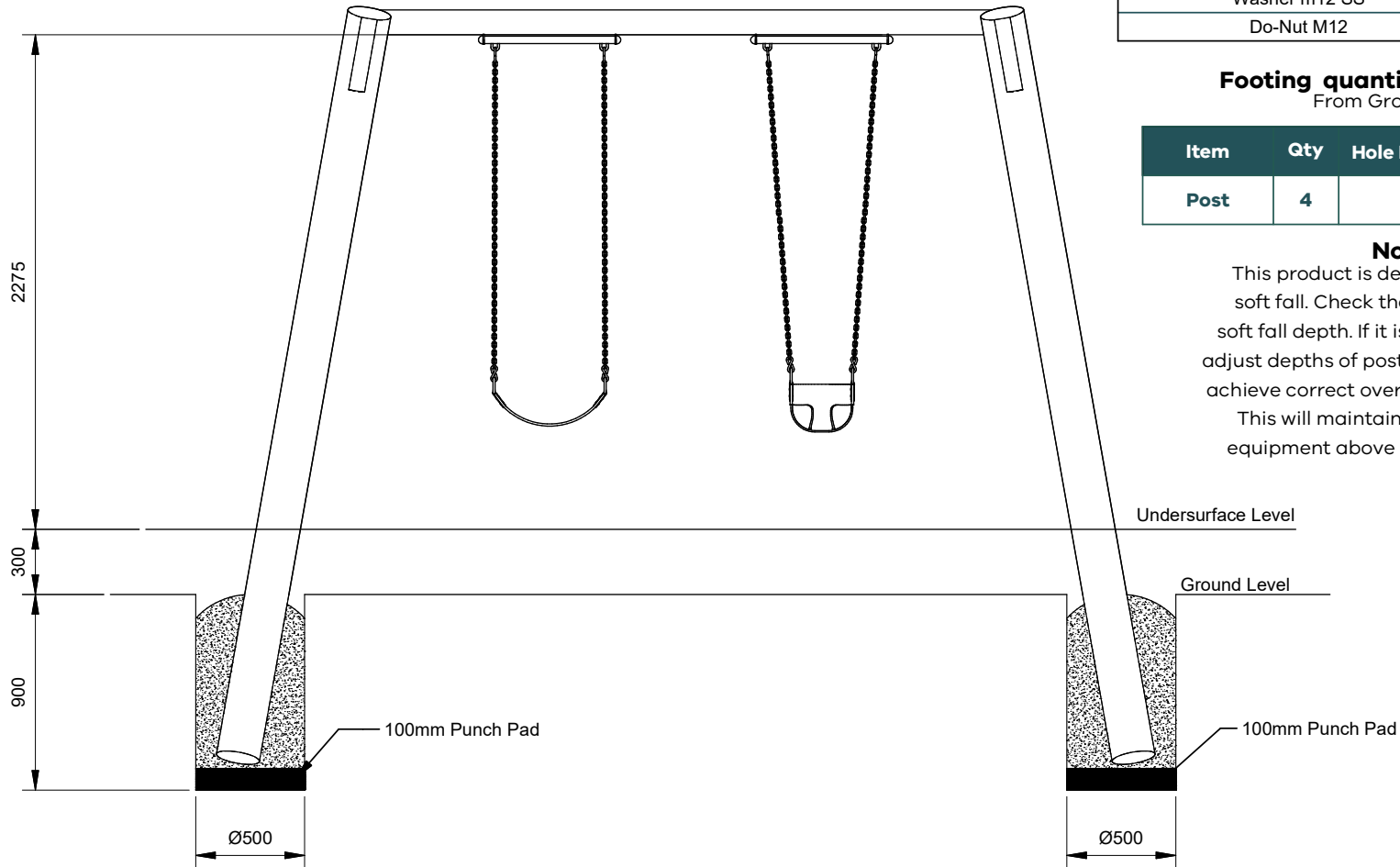
natura
Australian nature playgrounds

Ironbark Log Double Swing Footing Detail

All measurement are in mm, unless otherwise specified

Installation

Swing Heights to be Set at Installation
All Seats - 450mm
Flatstrap - 500mm
From Softfall



ASSEMBLY INSTALL LIST	QTY
Cross Bar	1 Off
Swing Posts	4 Off
Bolt M12x 200mm	8 Off
Nyloc M12 SS	8 Off
Washer m12 SS	8 Off
Do-Nut M12	8 Off

Footing quantities and depths
From Ground Level

Item	Qty	Hole Diameter	Hole Depth
Post	4	500	900

Note:

This product is designed for 300mm soft fall. Check the proposed on site soft fall depth. If it is not 300mm please adjust depths of post holes accordingly, to achieve correct overall subsurface depth. This will maintain correct height of equipment above undersurface level.

Ironbark Log Double Swing Footing Detail THESE DESIGNS, DRAWINGS AND SPECIFICATIONS ARE COPYRIGHT AND THE PROPERTY OF The Play Works AND MUST NOT BE USED, COPIED OR REPRODUCED IN PART OR WHOLE WITHOUT THE WRITTEN PERMISSION OF The Play Works.

Playbook ID	PN1261	DWG No.	2 of 2	SCALE	NTS	ISSUE	A	DRAWN BY	DE	DATE	8/25/2023	REV#	DATE	PR#
Job No.	-	Job Name	-	Planned by		Plan date		QTY	1	MADE BY				

