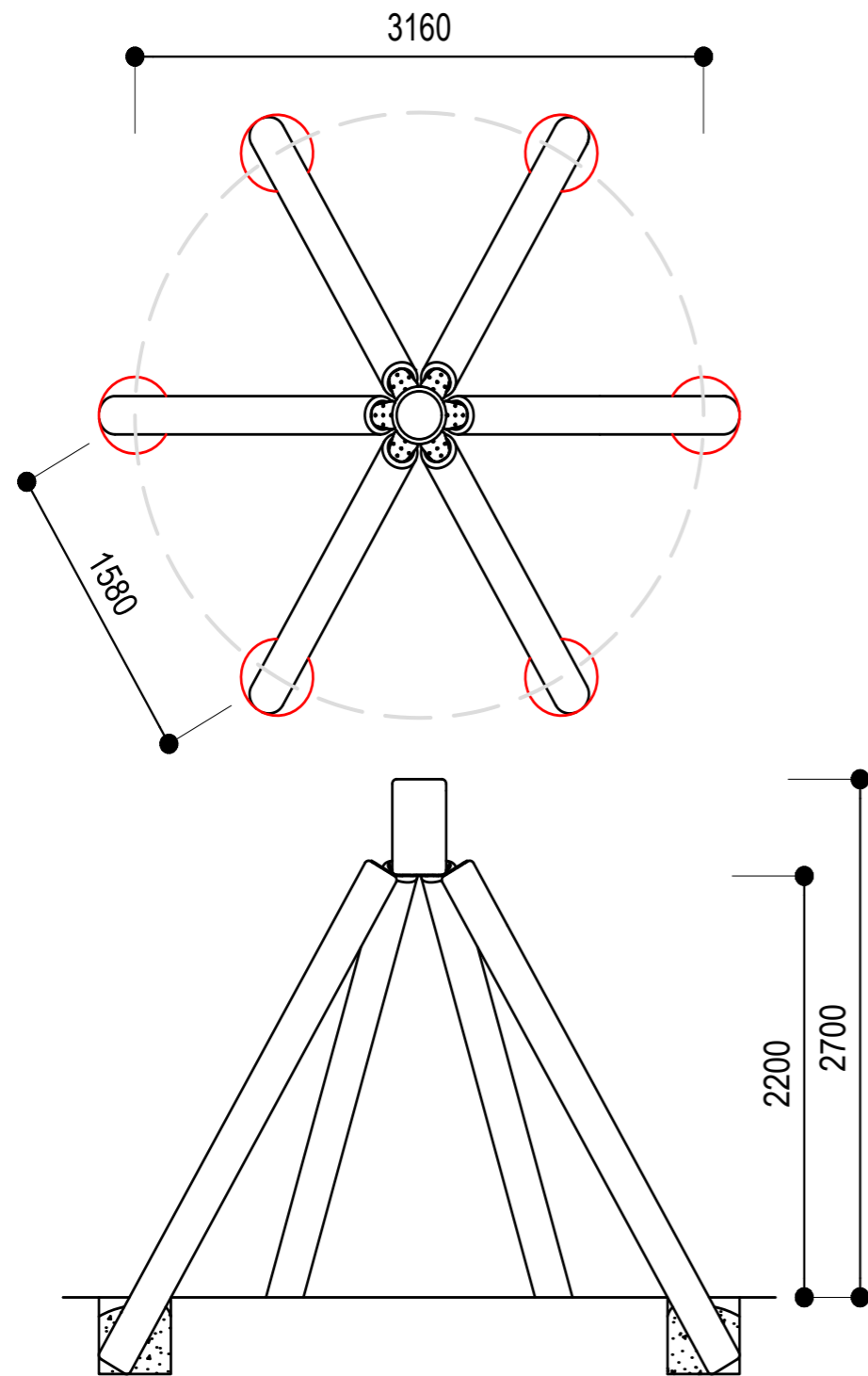


Timber Tipi

Installation

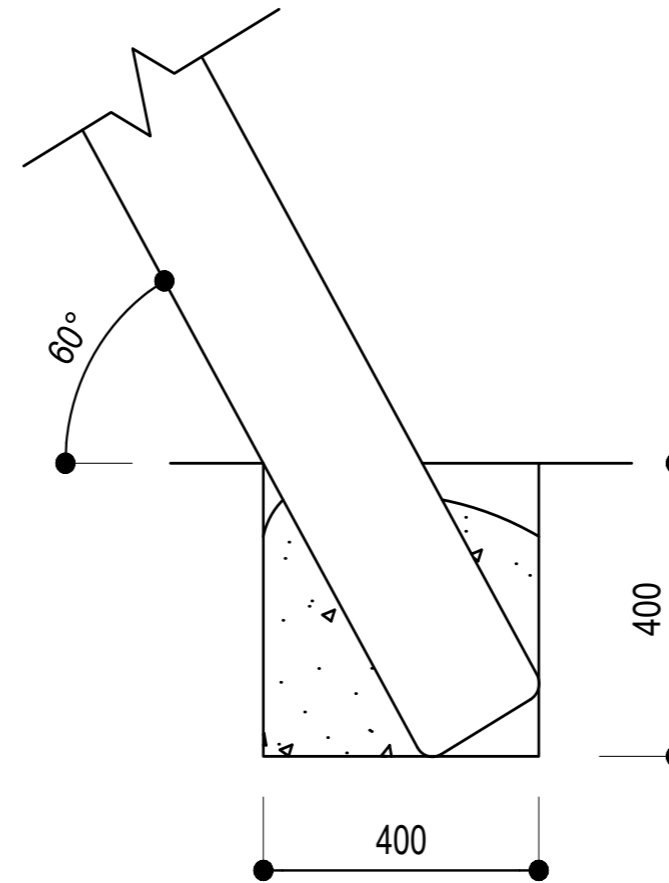


Footing quantities and depths

From ground level

Item	Qty	Hole Diameter	Hole Depth
Posts	6	400mm	400mm

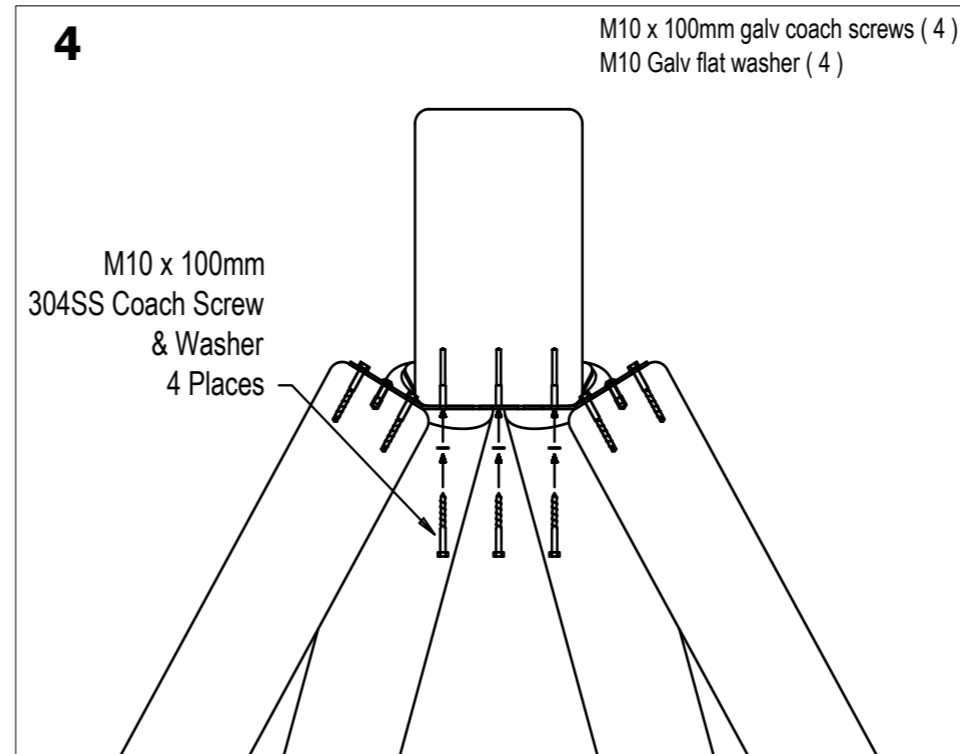
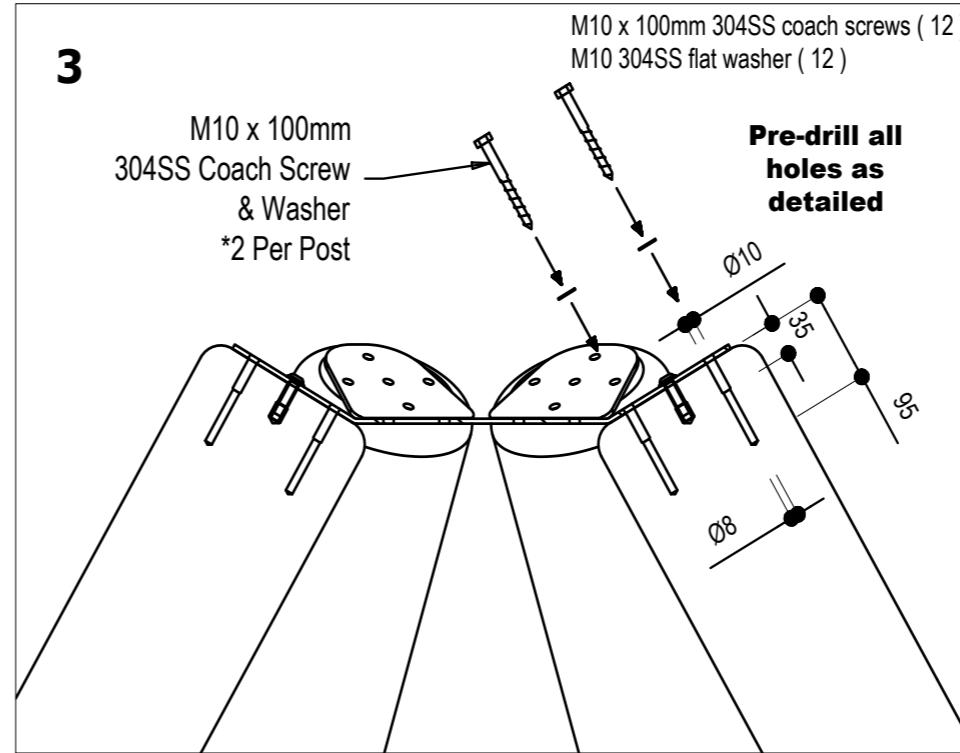
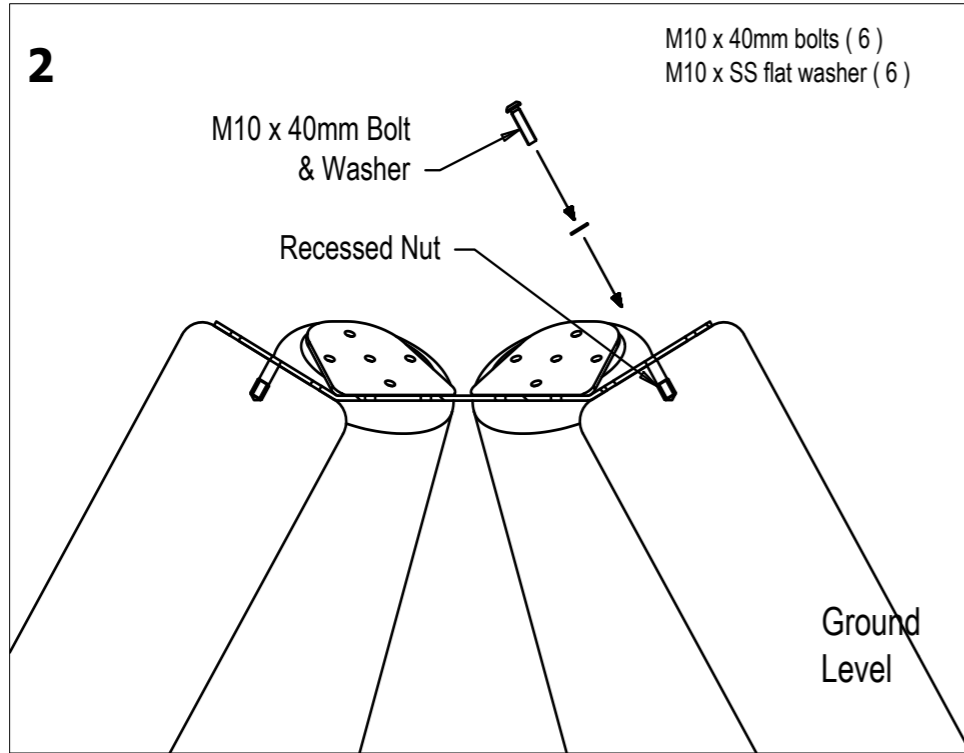
Note:
This product is designed for no softfall.



Timber Tipi						SEDI REM QUID MA CONSEQUAE DOLUPTAT QUATIUN DELITATIONET EXCERA NIHILIQUIS AD QUISTIS EATUR, NON REHENIS EATIONSECAE NON NAM QUI VERE DENDAE AUT ID EOSAM ETUR SIMAGNIET, ILIT AUT AUT ET PORI CUM QUAS RE, EATUR? CAEPROVID UT HICIUR SIT UT DOLOREM VOLOR SIT QUI TEMPEL MA CONSEQUI OD ET AUT UT LIA IUS DOLESEQUE CUS MOLORROVIT			Rev#	DATE	PR#			
Playbook ID	PN1292	DWG No.	01	SCALE	NTS	ISSUE	A	DRAWN BY	LC	DATE	01-03-2023	-	-	-
Job No.		Job Name		Planned by		Plan date		QTY		MADE BY				



Timber Tipi



1. Mark and dig post holes as per post hole layout drawing.

2. Begin by roughly positioning the 6 posts in the footing holes and attach to the bracket using the M10 x 40mm bolts into the recessed captive nut in the end of each post.

Note: This is only a temporary fixing to aid in alignment

3. Once all posts are positioned correctly now pre-drill as and secure using at least 2 x M10 x 100mm coach screws into each post.

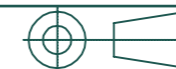
4. Now position the center totem on top of the bracket then pre-drill and secure using at least 4 x M10 x 100mm coach screws from the underside.

Note: All holes must be pre-drilled as detailed

5. Concrete footings and allow to cure for 24 hours.

Timber Tipi

SEDI REM QUID MA CONSEQUAE DOLUPTAT QUATIUN DELITATIONET EXCERA NIHILIQUIS AD QUISTIS EATUR, NON REHENIS EATIONSECAE
NON NAM QUI VERE DENDAE AUT ID EOSAM ETUR SIMAGNIET, ILIT AUT AUT ET PORI CUM QUAS RE, EATUR?
CAEPROVID UT HICIUR SIT UT DOLOREM VOLOR SIT QUI TEMPEL MA CONSEQUI OD ET AUT UT LIA IUS DOLESEQUE CUS MOLORROVIT



Rev#	DATE	PR#
-	-	-

Playbook ID	PN1292	DWG No.	02	SCALE	NTS	ISSUE	A	DRAWN BY	LC	DATE	01-03-2023
Job No.		Job Name		Planned by		Plan date		QTY		MADE BY	