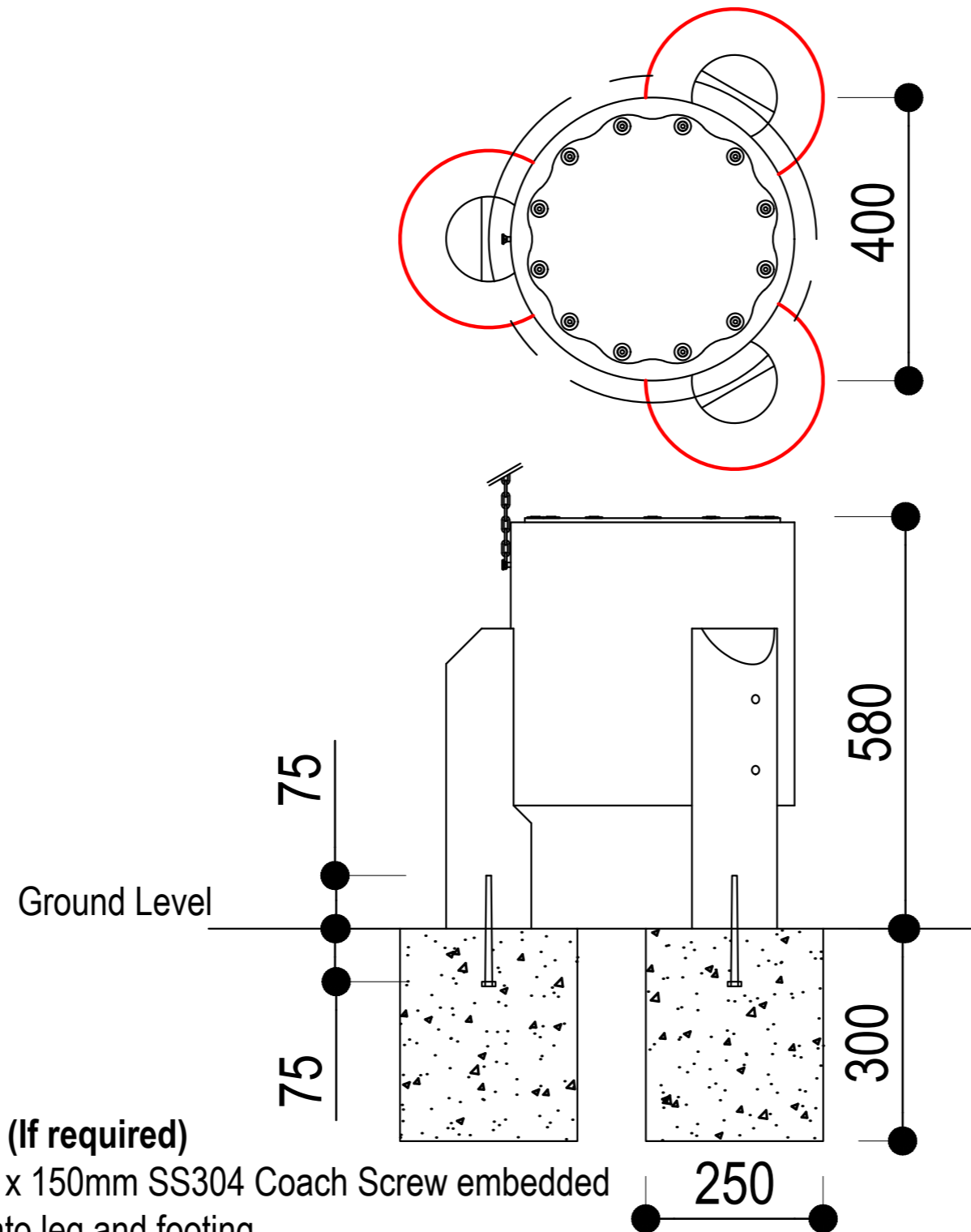


# Jungle Drum

# Installation



**Footing (If required)**  
 3 x M12 x 150mm SS304 Coach Screw embedded  
 75mm into leg and footing

### Footing quantities and depths

From ground level

Item	Qty	Hole Diameter	Hole Depth
Posts	3	250mm	300mm

**Note:**

This product is designed for no softfall. Check the proposed on site softfall depth. Please adjust depths of post holes accordingly, to achieve correct overall subsurface depth. This will maintain correct height of equipment above undersurface level.

<b>Jungle Drum</b>		<small>SEDI REM QUID MA CONSEQUAE DOLUPTAT QUATIUN DELITATIONET EXCERA NIHILIQUIS AD QUISTIS EATUR, NON REHENIS EATIONSECAE NON NAM QUI VERE DENDAE AUT ID EOSAM ETUR SIMAGNIET, ILIT AUT AUT ET PORI CUM QUAS RE, EATUR? CAEPROVID UT HICIUR SIT UT DOLOREM VOLOR SIT QUI TEMPEL MA CONSEQUI OD ET AUT UT LIA IUS DOLESEQUE CUS MOLORROVIT</small>					Rev#	DATE	PR#		
Playbook ID	<b>PN1104</b>	DWG No.	<b>01</b>	SCALE	<b>NTS</b>	ISSUE	<b>A</b>	DRAWN BY	<b>LC</b>	DATE	<b>01-03-2023</b>
Job No.	Job Name	Planned by	Plan date	QTY	MADE BY	DATE					

