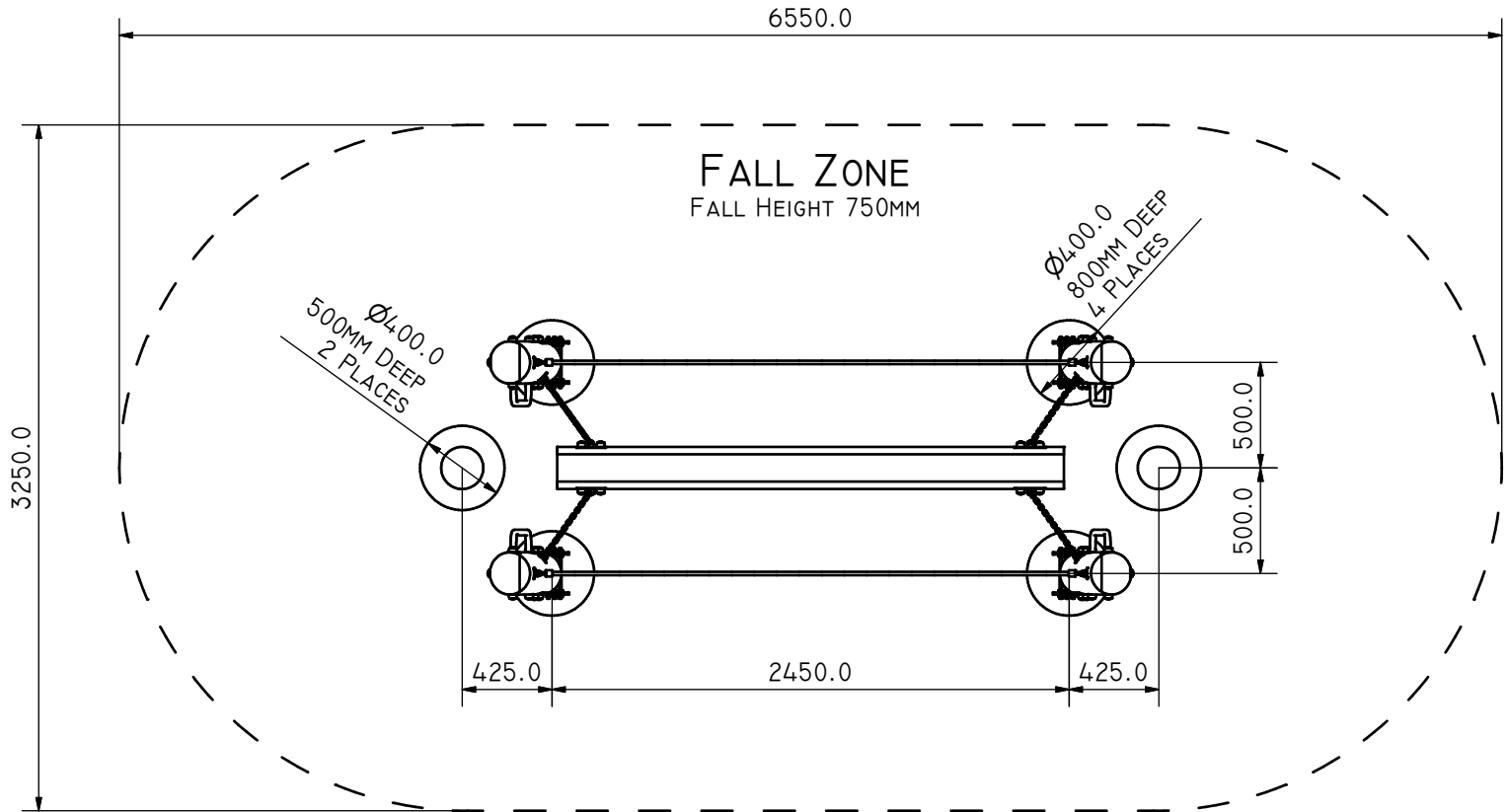



**FOOTING QUANTITIES AND DEPTHS**  
FROM GROUND LEVEL

ITEM	QTY	HOLE DIAMETER	HOLE DEPTH
POST	4	400	800
STEPPER	2	400	500

**NOTE:**

THIS PRODUCT IS DESIGNED FOR 300MM SOFT FALL. CHECK THE PROPOSED ON SITE SOFT FALL DEPTH. IF IT IS NOT 300MM PLEASE ADJUST DEPTHS OF POST HOLES ACCORDINGLY, TO ACHIEVE CORRECT OVERALL SUBSURFACE DEPTH. THIS WILL MAINTAIN CORRECT HEIGHT OF EQUIPMENT ABOVE UNDERSURFACE LEVEL.



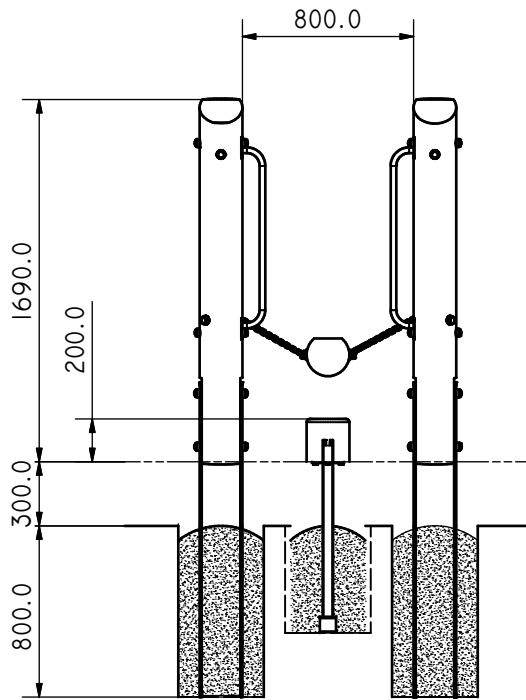
JOB N°	PLANNED BY	UNLESS STATED OTHERWISE - ALL DIMENSIONS ARE IN MILLIMETRES. GENERAL TOLERANCES: DIN ISO 2768-MK						
	PLAN DATE							
JOB NAME	MADE BY	DRAWN	BY	ITEM N°	SF Wobbly Log Bridge			
		DATE	2/21/2024	A-NAT-2264				
	MFG DATE	CHECKED		STOCK / LEGACY N°	DRAWING N°			
		DATE		PNI450	A-NAT-2264-001			
© 2024 THE PLAY COLLECTIVE ABN 28 101 472 619. THE INFORMATION CONTAINED IN THIS DRAWING IS THE SOLE PROPERTY OF THE PLAY COLLECTIVE. ANY REPRODUCTION IN PART OR WHOLE WITHOUT THE WRITTEN PERMISSION OF THE PLAY COLLECTIVE IS PROHIBITED. ANY UNCERTAIN DIMENSIONS ARE TO BE CONFIRMED BY PLAY COLLECTIVE BEFORE COMMENCEMENT OF MANUFACTURING.					REV	SCALE: NTS	SHT 1 OF 2	A3

**FOOTING QUANTITIES AND DEPTHS**  
FROM GROUND LEVEL

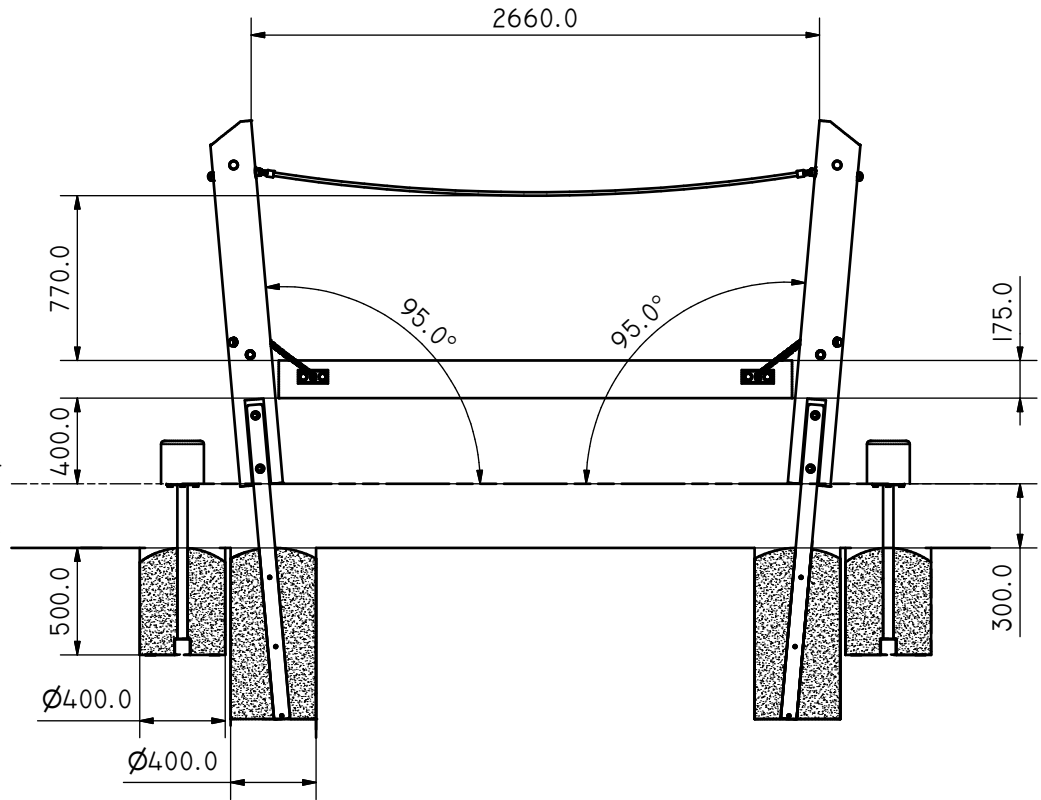
ITEM	QTY	HOLE DIAMETER	HOLE DEPTH
POST	4	400	800
STEPPER	2	400	500

**NOTE:**

THIS PRODUCT IS DESIGNED FOR 300MM SOFT FALL. CHECK THE PROPOSED ON SITE SOFT FALL DEPTH. IF IT IS NOT 300MM PLEASE ADJUST DEPTHS OF POST HOLES ACCORDINGLY, TO ACHIEVE CORRECT OVERALL SUBSURFACE DEPTH. THIS WILL MAINTAIN CORRECT HEIGHT OF EQUIPMENT ABOVE UNDERSURFACE LEVEL.



UNDERSURFACE LEVEL  
GROUND LEVEL



JOB N°	PLANNED BY		UNLESS STATED OTHERWISE - ALL DIMENSIONS ARE IN MILLIMETRES. GENERAL TOLERANCES: DIN ISO 2768-MK					
	PLAN DATE							
JOB NAME	MADE BY	DRAWN	BY	ITEM N°	SF Wobbly Log Bridge			
		DATE	2/21/2024	A-NAT-2264				
	MFG DATE	CHECKED		STOCK / LEGACY N°	DRAWING N°			
		DATE			PNI450 A-NAT-2264-002			
© 2024 THE PLAY COLLECTIVE ABN 28 101 472 619. THE INFORMATION CONTAINED IN THIS DRAWING IS THE SOLE PROPERTY OF THE PLAY COLLECTIVE. ANY REPRODUCTION IN PART OR WHOLE WITHOUT THE WRITTEN PERMISSION OF THE PLAY COLLECTIVE IS PROHIBITED. ANY UNCERTAIN DIMENSIONS ARE TO BE CONFIRMED BY PLAY COLLECTIVE BEFORE COMMENCEMENT OF MANUFACTURING.					REV	SCALE: NTS	SHT 2 OF 2	A3