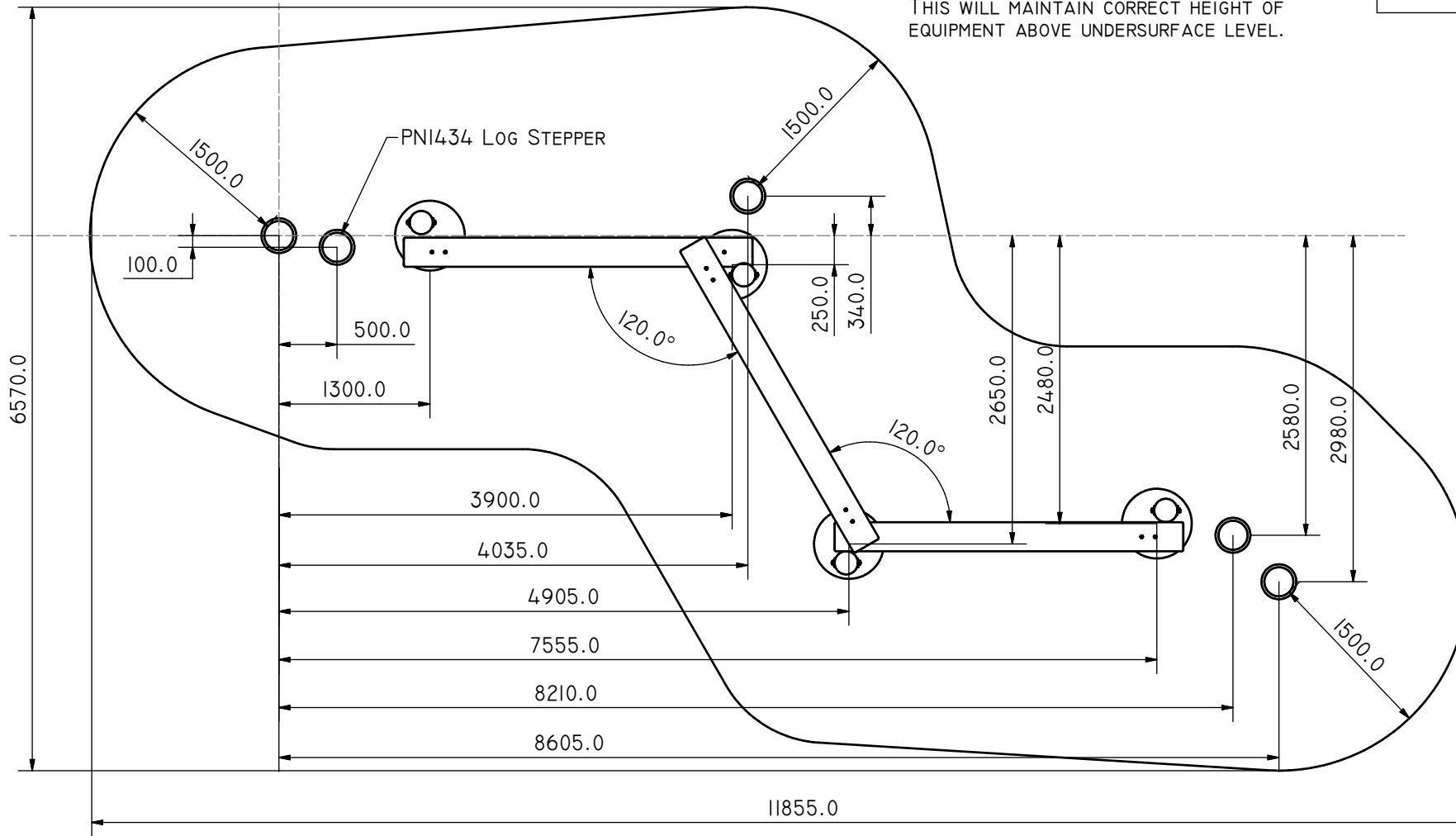



NOTE:

THIS PRODUCT IS DESIGNED FOR 300MM SOFT FALL. CHECK THE PROPOSED ON SITE SOFT FALL DEPTH. IF IT IS NOT 300MM PLEASE ADJUST DEPTHS OF POST HOLES ACCORDINGLY, TO ACHIEVE CORRECT OVERALL SUBSURFACE DEPTH. THIS WILL MAINTAIN CORRECT HEIGHT OF EQUIPMENT ABOVE UNDERSURFACE LEVEL.

FOOTING QUANTITIES AND DEPTHS
FROM GROUND LEVEL

ITEM	QTY	HOLE DIAMETER	HOLE DEPTH
Posts	4	600	600
A-NAT-2224	6	300	500



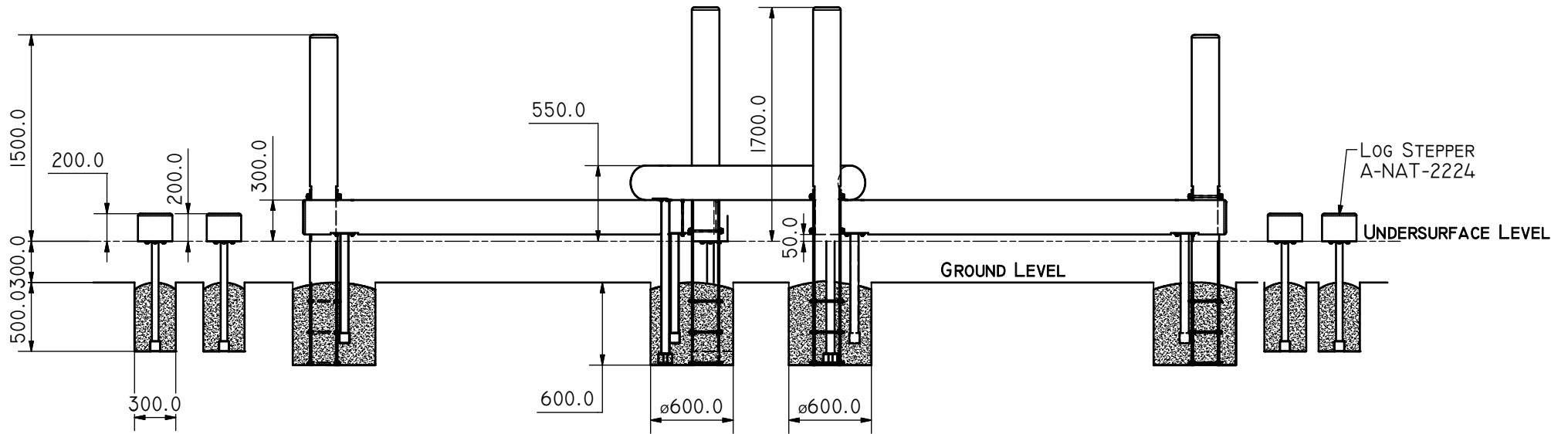
JOB N°	PLANNED BY	UNLESS STATED OTHERWISE - ALL DIMENSIONS ARE IN MILLIMETRES. GENERAL TOLERANCES: DIN ISO 2768-MK					
	PLAN DATE						
JOB NAME	MADE BY	DRAWN BY	ITEM N°	STEEL FOOTING LOG BALANCE TRAIL 01			
	MFG DATE	DATE	A-NAT-2238				
		CHECKED	DATE	STOCK / LEGACY N°			
		DATE		PNI456			
				DRAWING N°	A-NAT-2238-001		
© 2024 THE PLAY COLLECTIVE ABN 28 101 472 619. THE INFORMATION CONTAINED IN THIS DRAWING IS THE SOLE PROPERTY OF THE PLAY COLLECTIVE. ANY REPRODUCTION IN PART OR WHOLE WITHOUT THE WRITTEN PERMISSION OF THE PLAY COLLECTIVE IS PROHIBITED. ANY UNCERTAIN DIMENSIONS ARE TO BE CONFIRMED BY PLAY COLLECTIVE BEFORE COMMENCEMENT OF MANUFACTURING.				REV	SCALE: NTS	SHT 1 OF 2	A3



FOOTING QUANTITIES AND DEPTHS
FROM GROUND LEVEL

ITEM	QTY	HOLE DIAMETER	HOLE DEPTH
Posts	4	600	600
A-NAT-2224	6	300	500

NOTE:

THIS PRODUCT IS DESIGNED FOR 300MM SOFT FALL. CHECK THE PROPOSED ON SITE SOFT FALL DEPTH. IF IT IS NOT 300MM PLEASE ADJUST DEPTHS OF POST HOLES ACCORDINGLY, TO ACHIEVE CORRECT OVERALL SUBSURFACE DEPTH. THIS WILL MAINTAIN CORRECT HEIGHT OF EQUIPMENT ABOVE UNDERSURFACE LEVEL.



JOB N°	PLANNED BY		UNLESS STATED OTHERWISE - ALL DIMENSIONS ARE IN MILLIMETRES.		
	PLAN DATE		GENERAL TOLERANCES: DIN ISO 2768-MK		
JOB NAME	MADE BY	DRAWN	BV	ITEM N°	STEEL FOOTING LOG BALANCE TRAIL 01
		DATE	2/23/2024	A-NAT-2238	
	MFG DATE	CHECKED		STOCK / LEGACY N°	
		DATE		PNI456	DRAWING N°
© 2024 THE PLAY COLLECTIVE ABN 28 101 472 619. THE INFORMATION CONTAINED IN THIS DRAWING IS THE SOLE PROPERTY OF THE PLAY COLLECTIVE. ANY REPRODUCTION IN PART OR WHOLE WITHOUT THE WRITTEN PERMISSION OF THE PLAY COLLECTIVE IS PROHIBITED. ANY UNCERTAIN DIMENSIONS ARE TO BE CONFIRMED BY PLAY COLLECTIVE BEFORE COMMENCEMENT OF MANUFACTURING.					SCALE: NTS SHT 2 OF 2 A3